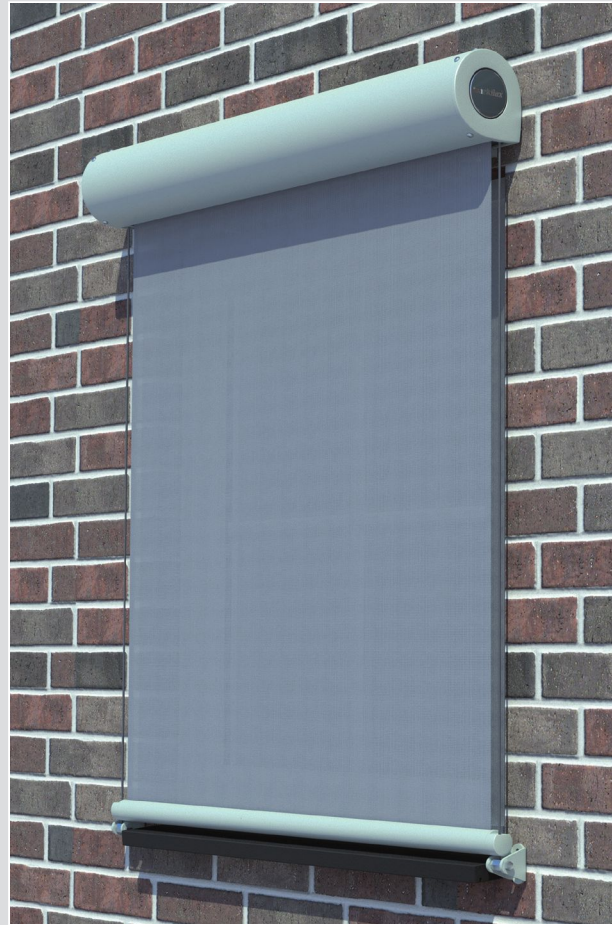


safe · timeless · beautiful



markilux 710/810

Vertical cassette awnings with lateral guide cables, proven and practical, classic and classy



markilux 710/810

Vertical cassette awnings with lateral guide cables, proven and practical, classic and classy

design features

- vertical blind. Complete protection from the sun and inquisitive glances
- compact, square and discreet the cassette profile made of extruded aluminium is only 95 mm in height
- for long-lasting attractiveness the awning has been powder coated.
- when retracted the cover is protected from the weather by the cassette, which encloses it completely.
- one-piece covers made from widely woven, plain awning fabrics make it possible to do away with seams entirely.
- in the case of manual operation with a markilux stainless steel winding handle - quality to get to grips with

technical highlights

- the cover is guided down plastic-coated cables
- sturdy, self-supporting cassette made of extruded aluminium
- operation by means of a smooth gearbox and universal joint
- larger units can be supplied as coupled units
- extremely solid, stainless steel side plate sheathed in plastic and powder coated

optional accessories

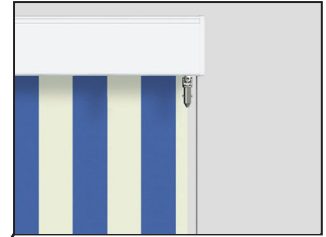
- awning covers made of acrylic material or sunsilk snc with self-cleaning effect. the cover joints are ultrasonically bonded to give a neater appearance without unsightly stitching.
- hard-wired motor drive (optionally with automatic controls) for simple, relaxed operation.
- radio-controlled motor with radio remote control for ease of use
- an easily installed, radio control sun and wind sensor guarantees comfort and a degree of safety.
- interior operation. For manual operation from within the building



Side view of the markilux 810



Side view of the markilux 710



The markilux 790 with guide cables

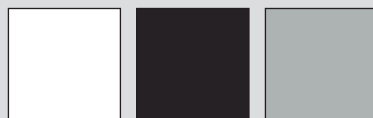


Reveal fixture, square cassette



Reveal fixture, round cassette

RAL colours:



optional accessories:





dimensions and configuration options

unit height	Overall blind width																	
	75	100	125	150	175	200	225	250	275	300	325	350	375	400	425	450	475	500
120																		
160																		
200																		
250																		
300 ³⁰⁾																		
350 ^{30) 30)}																		

dimensions in cm

30) In the 700 series (square cassette) only widely woven acrylic fabrics, transolair, sunsilk or Soltis 92 are available from a unit height of 250 cm. sunsilk is available up to a unit height of 300 cm.

31) From a unit height of 301 cm only widely woven acrylic fabric is available and the unit width is limited to 300 cm

 = available with 2 cassette brackets
 = available with 3 cassette brackets

operation type	
manual operation; handle with bayonet fitting	●
manual operation from inside the building	○
manual operation from the rear	○
motor	○
radio-controlled motor	○
covers	
acrylic 34 (fabric series 341xx-347xx)	○
sunsilk SNC (fabric series 324xx/329xx)	○
transolair (fabric series 339xx)	○ ⁵⁾
oversized acrylic (fabric series 349xx)	●
signature (fabric series 369xx)	○
Soltis 92	○ ⁶⁾
perfortex (fabric series 333xx)	○
transilk FR (fabric series 319xx)	○
perla FR (fabric series 374xx/379xx)	○
miscellaneous	
sun and wind sensor	○
cover profiles for gap between tracks and cover	-
Wedge-in accro bars	-
coupled units	
coupled unit 2 fields	○
coupled unit 3 fields	-

- = fitted as standard
- = optional accessory
- = not available
- ⁵⁾ = cover seamless; from an overall width of 261 cm and a unit height of 251 cm with horizontal seam(s)
- ⁶⁾ = cover seamless; from an overall width of 179 cm and a unit height of 171 cm with horizontal seam

Standard manual operation with bayonet fitting and universal joint made of stainless steel is operated from outside the building (winding handle lengths 110, 140, 160, 180 or 220 cm).

Manual interior operation with universal joint: This type of operation requires exact fixture, usually means high (labour) costs for the end consumer and can only be employed on single units. We therefore recommend the use of a radio-controlled motor.

Manual operation using a universal joint and from the rear: This operation type should be used with top fixture when system can be approached from the rear (e.g. on balconies).

In the case of manual operation it takes approximately 24 turns per metre of overall unit height to extend the system.

Extension when using a motor takes approximately 15 seconds per metre.

N.B! If the motor is used continuously it will stop automatically after 3 to 4 minutes to prevent overheating.





In the case of a bank of awnings operating simultaneously, the same speed of rotation of the motors cannot be guaranteed because of the tolerances of the motors internal.

If several single units are to be fitted next to one another the distance between the end cheeks must be at least 25 mm for a markilux 710 and at least 30 mm for a markilux 810.

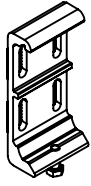
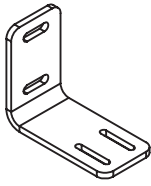
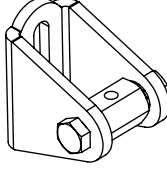
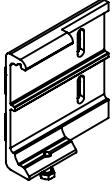
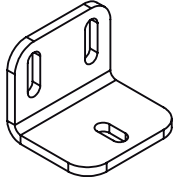
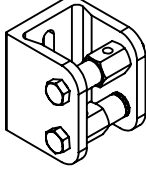
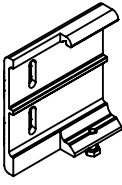
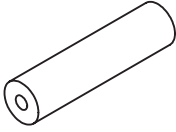
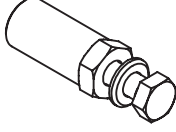
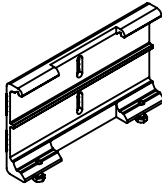
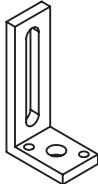
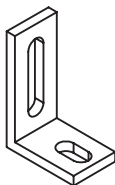
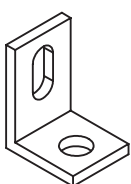
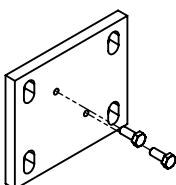
If coupled awnings are to be fitted into a recess or reveal the overall width of the coupled blind or awning must be at least 6 cm less than the width of the opening to allow the blind/awning to be coupled. Make a special note if the awning is to be fitted into a recess/reveal and note the reveal width separately.

Coupled units are only available with motor (surcharge)

Maximum width of coupled units: 2 x 500 cm

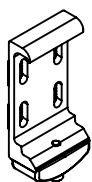
frame colours		
	RAL 9016 traffic white	●
	RAL 8019 grey brown	●
	RAL 9006 metallic aluminium	●
	non-standard RAL colour	○

fixings and accessories

markilux 710	markilux 710/810	markilux 710/810
 Universal bracket assembly 50mm 78758.	 Additional angled plate for reveal fixture 120x100x60mm 77220.	 Accessory pack for 2 guide cables 78761.
 Universal bracket assembly with plate "right" for lateral fixture N.B! Not for the operation side: - Interior operation - operation from the rear 78916.	 Reveal angle fixture for cable guide 40x40x50mm 78565.	 Accessory pack for a coupled cable clamp 78910.
 Universal bracket assembly with plate "left" for lateral fixture N.B! Not for the operation side: - Interior operation - operation from the rear 78917.	 Stand-off fixing tube 30x10x1000mm N.B! stack to a max. of 120 mm 701668	 Reduction assembly M 10 - M 6 / SW 13 30mm length (e.g. in the case of external insulation, instructions for use v. the chapter "Technical Information") 753211
 Universal bracket assembly for coupled units for central fixture 78919.	 Stand-off angle 80x40x25mm 70930.	
	 Stand-off angle 60x40x25mm 70940.	
	 Stand-off angle 40x30x25mm 70950.	
	 Fixture plate assembly for face/ universal brackets 100x120x10mm 78982.	

. = insert RAL colour code no.

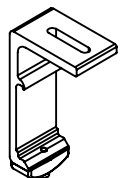
markilux 810



Face fixture bracket assembly

50mm

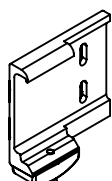
78726.



Top fixture bracket assembly

50mm

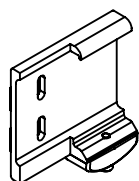
78727.



Face fixture bracket assembly with plate

"right"
for lateral fixture
N.B! Not for the operation side:
- Interior operation
- operation from the rear

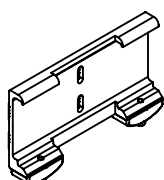
78748.



Face fixture bracket assembly with plate

"left"
for lateral fixture
N.B! Not for the operation side:
- Interior operation
- operation from the rear

78749.



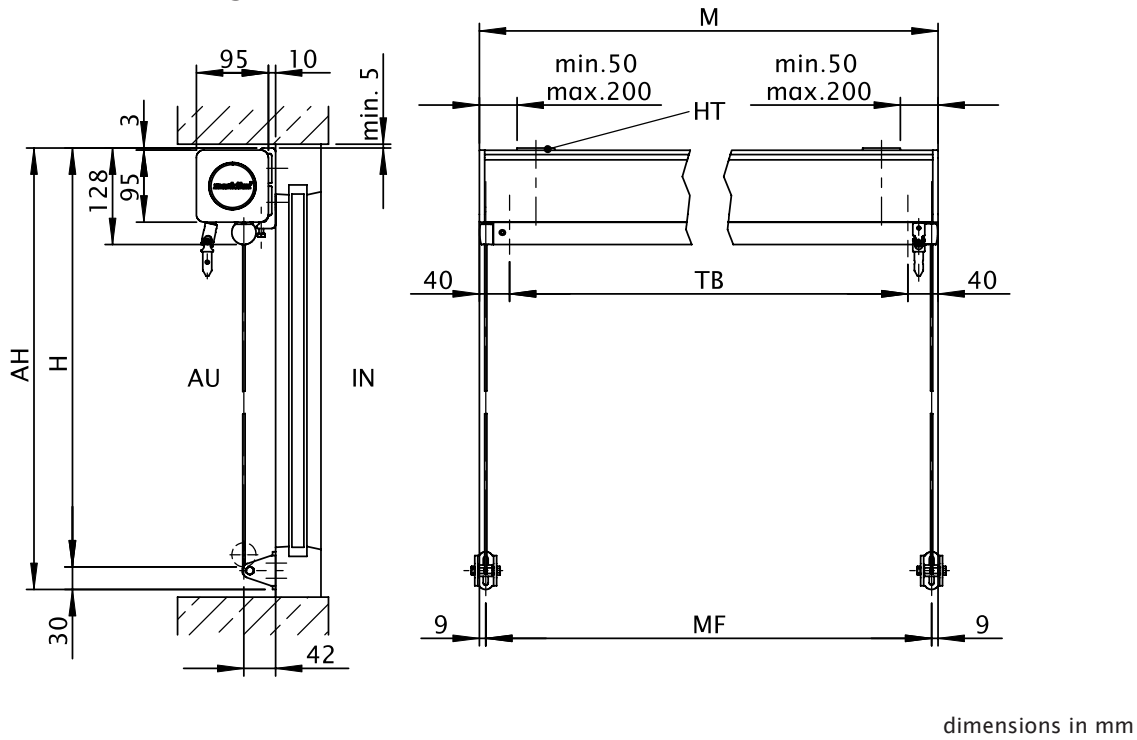
Face fixture bracket assembly for coupled units
for central fixture

78745.

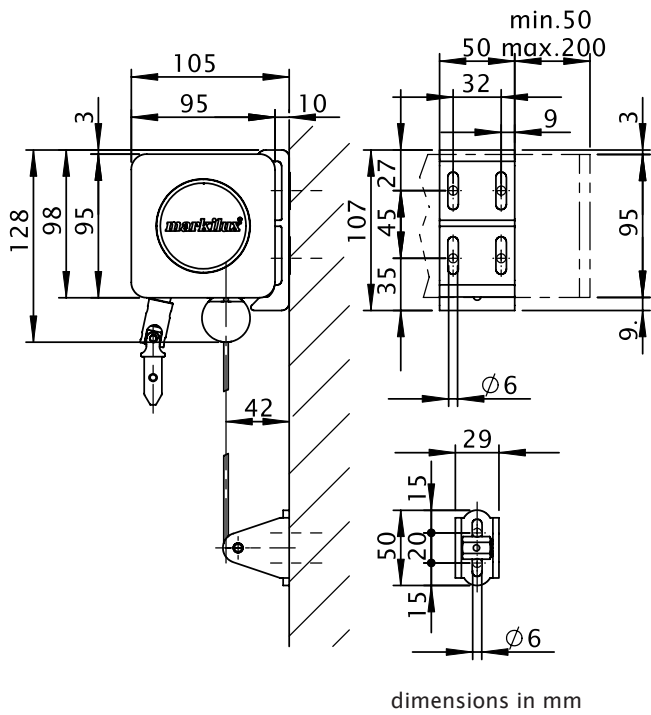
. = insert RAL colour code no.

How to fit the markilux 710

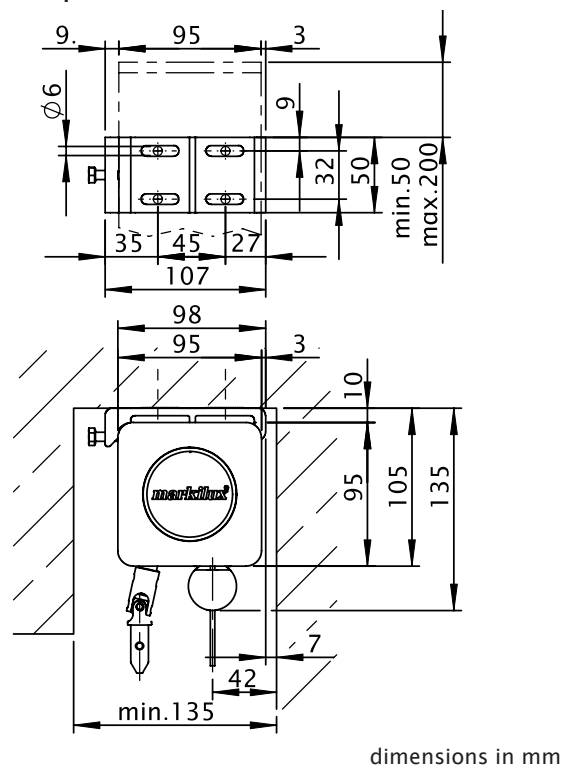
Schematic diagram of the dimensions



Face fixture



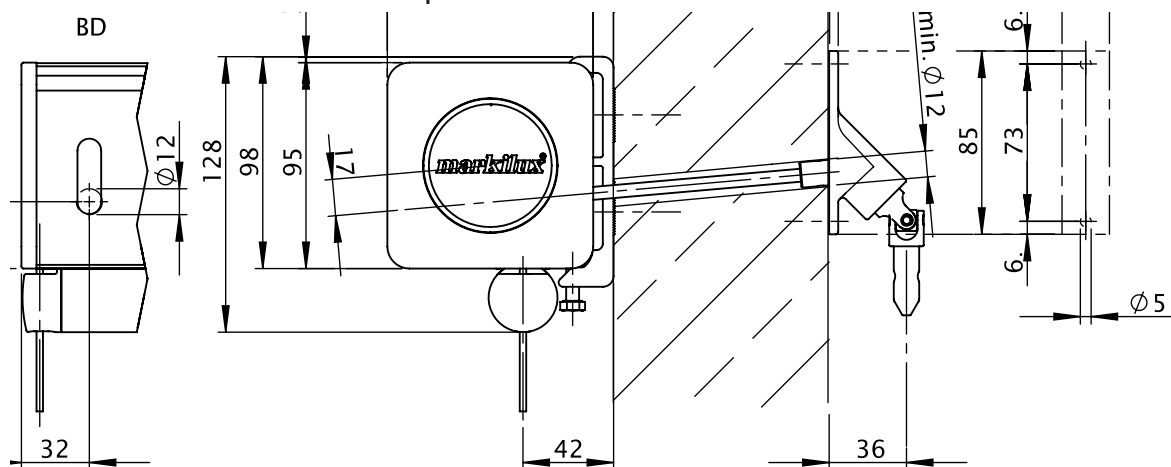
Top and reveal fixture



- AH = overall unit height
- H = extension
- AU = exterior
- IN = interior
- TB = cover width
- MF = centre of the cable guide, centre of the stainless steel guide rod, fixture width
- M = overall awning width
- HT = bracket

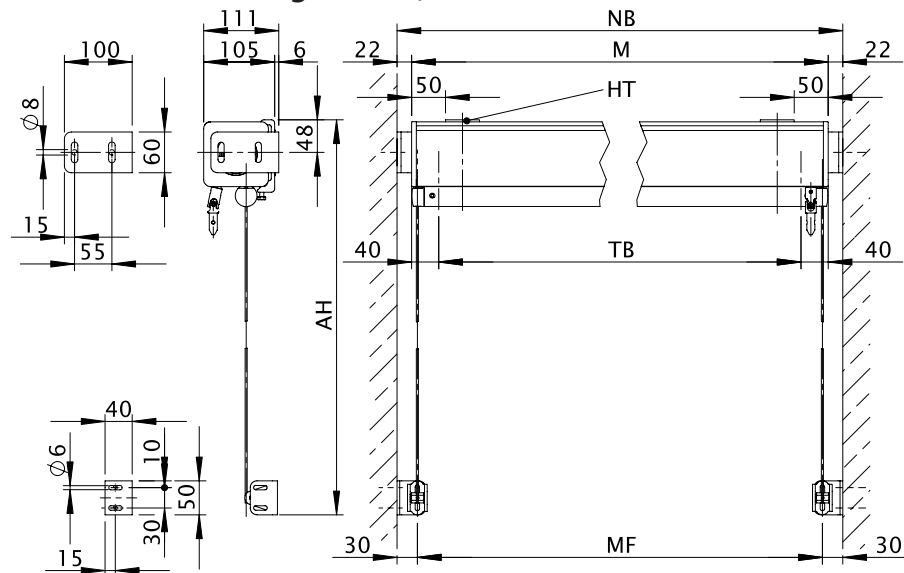
How to fit the markilux 710

Face fixture with interior operation



dimensions in mm

Reveal fixture for gearbox/motor

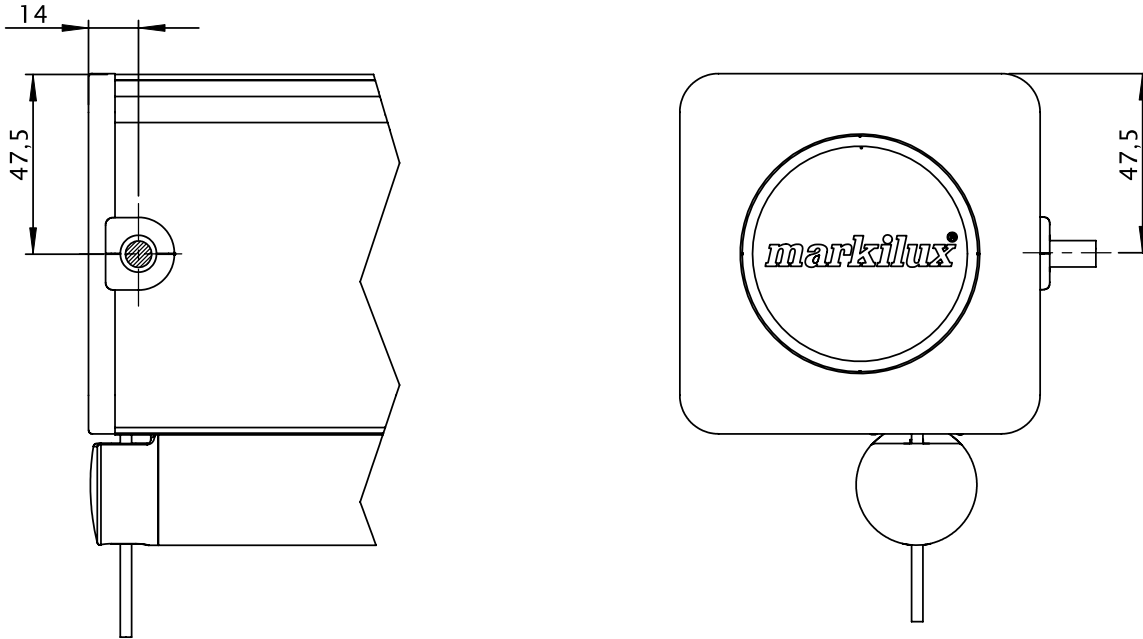


dimensions in mm

- BD = horizontal drill hole
- AH = overall unit height
- NB = reveal width
- M = overall awning width
- HT = bracket
- TB = cover width
- MF = centre of the cable guide, centre of the stainless steel guide rod, fixture width

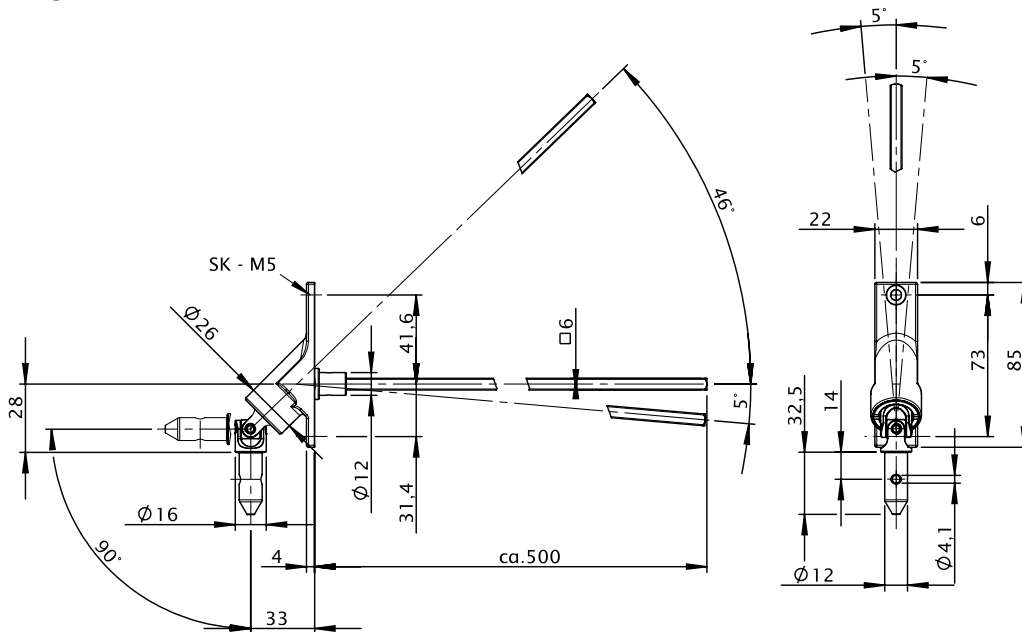
How to fit the markilux 710

Cable exit on motor-driven units



dimensions in mm

Handle for interior operation \varnothing 16 mm up to a vertical angle of 90° and a horizontal angle of 5°



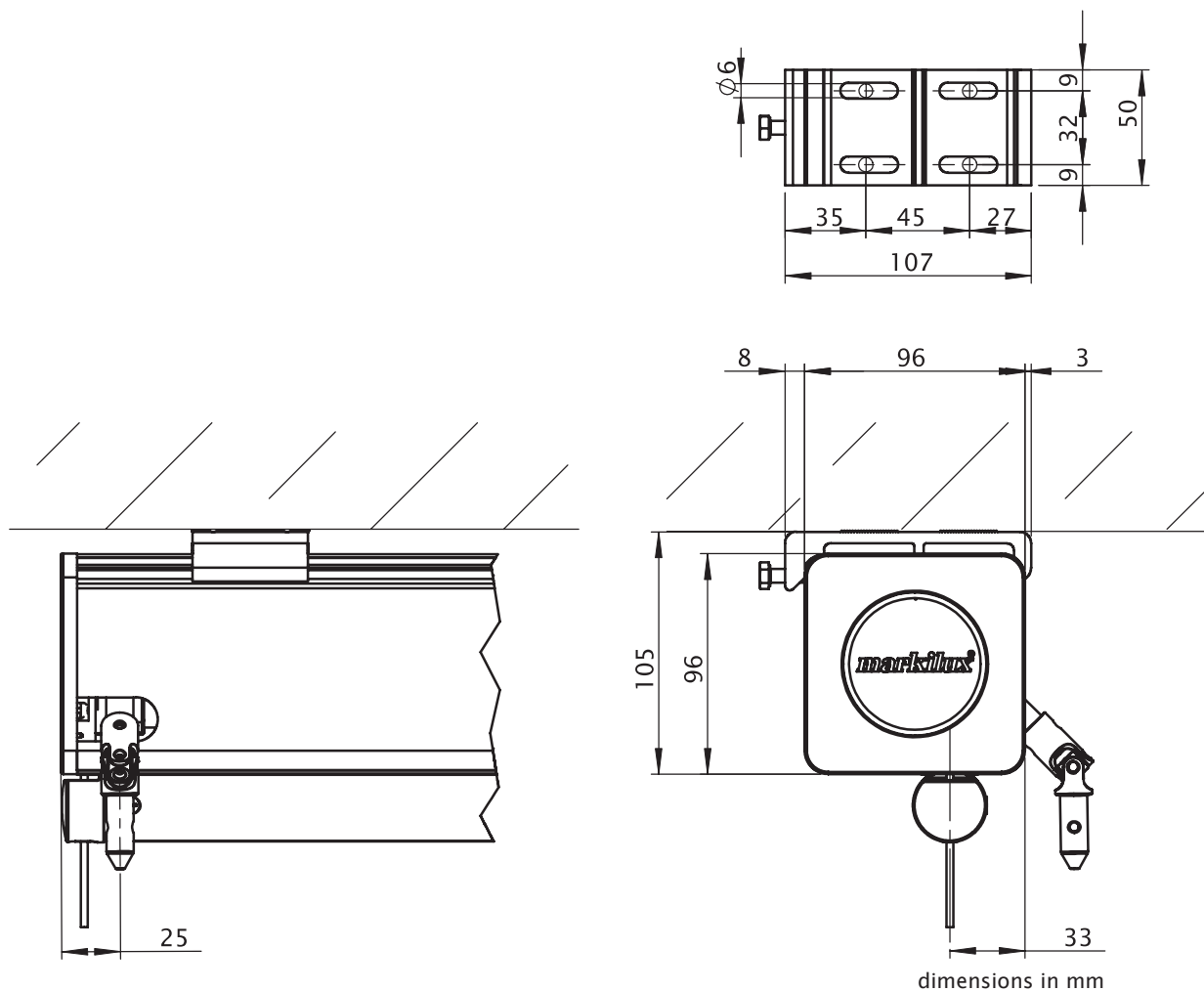
dimensions in mm

SK = drop

markilux 710/810

How to fit the markilux 710

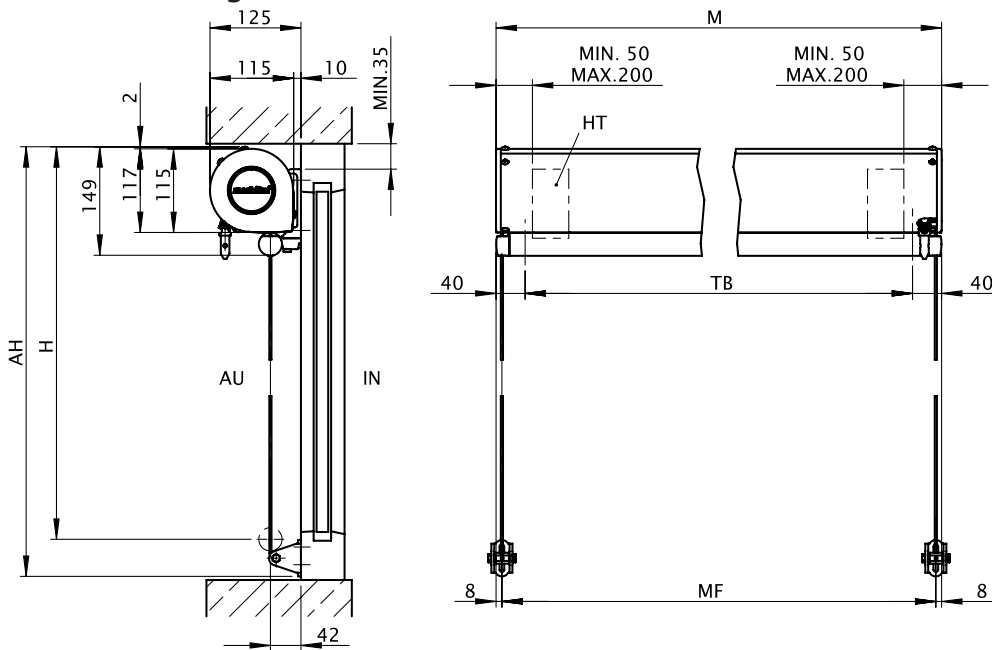
operation from the rear



dimensions in mm

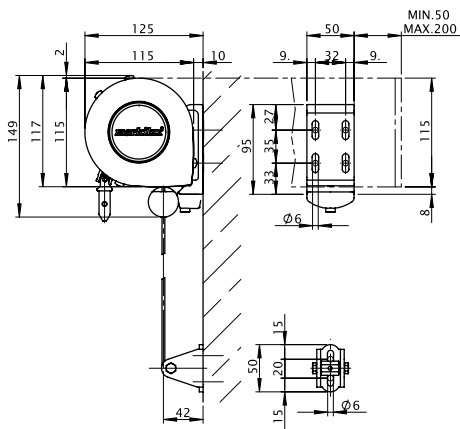
How to fit the markilux 810

Schematic diagram of the dimensions



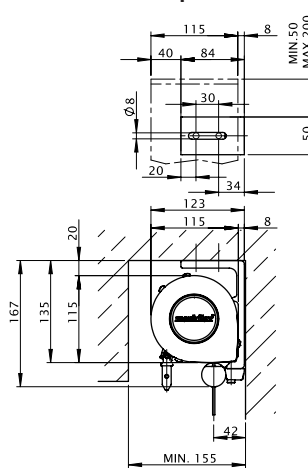
dimensions in mm

Face fixture



dimensions in mm

Top and reveal fixture

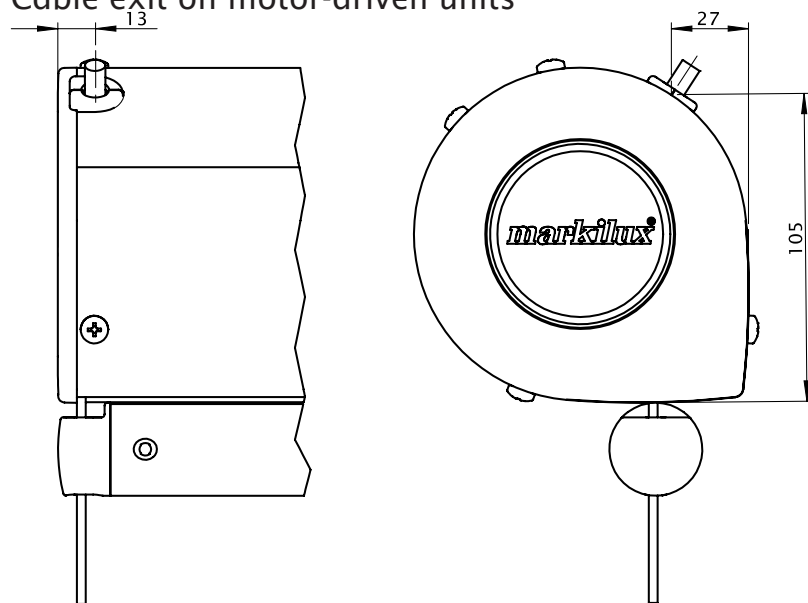


dimensions in mm

- AH = overall unit height
- H = extension
- AU = exterior
- IN = interior
- TB = cover width
- MF = centre of the cable guide, centre of the stainless steel guide rod, fixture width
- M = overall awning width
- HT = bracket

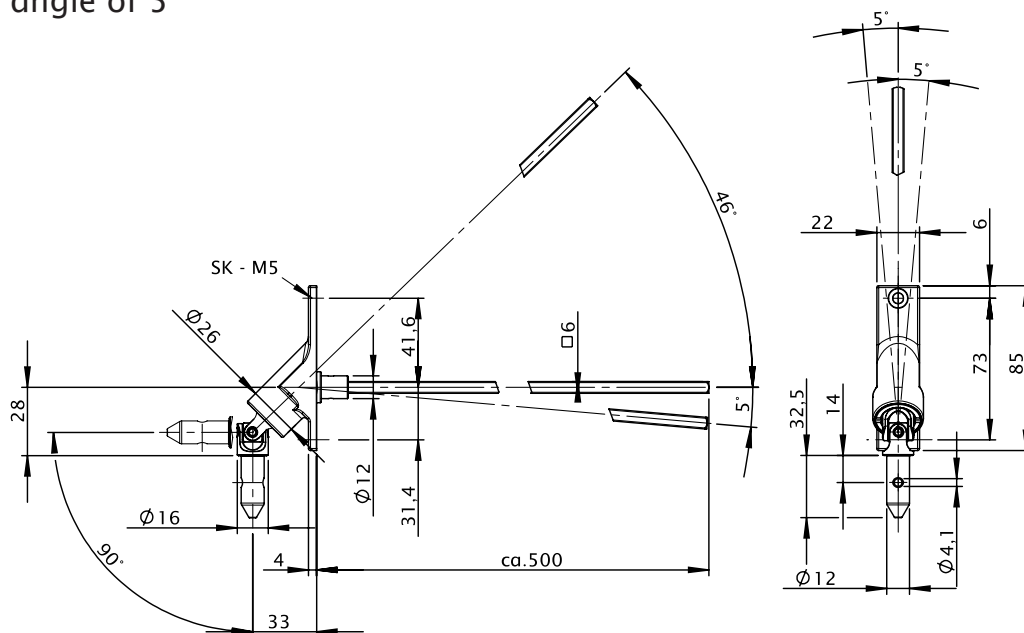
How to fit the markilux 810

Cable exit on motor-driven units



dimensions in mm

Handle for interior operation \varnothing 16 mm up to a vertical angle of 90° and a horizontal angle of 5°



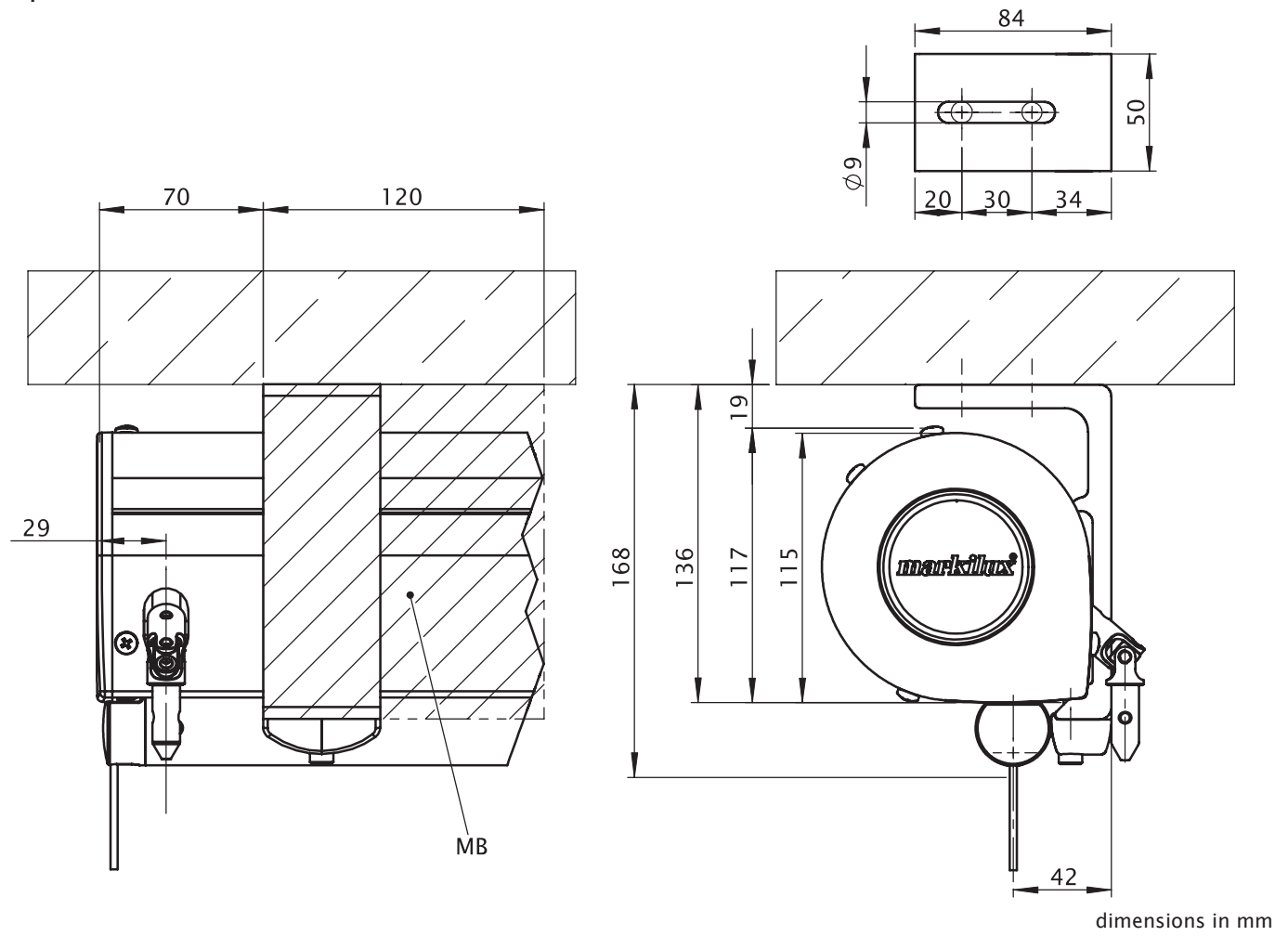
dimensions in mm

SK = drop

markilux 710/810

How to fit the markilux 810

operation from the rear



MB = fixture position

dimensions in mm