

## ***markilux* 720/820**

The vertical cassette blind with guide rails making fixing possible without additional brackets



# **markilux 720/820**

The vertical cassette blind with guide rails making fixing possible without additional brackets

- design features**
- vertical blind. Complete protection from the sun and inquisitive glances
  - compact, square and discreet the cassette profile made of extruded aluminium is only 95 mm in height
  - for long-lasting attractiveness the awning has been powder coated.
  - when retracted the cover is protected from the weather by the cassette, which encloses it completely.
  - one-piece covers made from widely woven, plain awning fabrics make it possible to do away with seams entirely.

- technical highlights**
- sturdy, self-supporting cassette made of extruded aluminium
  - operation by means of a smooth gearbox and universal joint
  - larger units can be supplied as coupled units
  - extremely solid, stainless steel side plate sheathed in plastic and powder coated
  - the awning cover is guided by strong, aluminium guide tracks

- optional accessories**
- awning covers made of acrylic material or sunsilk snc with self-cleaning effect. The cover joints are ultrasonically bonded to give a neater appearance without unsightly stitching.
  - hard-wired motor drive (optionally with automatic controls) for simple, relaxed operation.
  - radio-controlled motor with radio remote control for ease of use
  - an easily installed, radio control sun and wind sensor guarantees comfort and a degree of safety.
  - interior operation. For manual operation from within the building

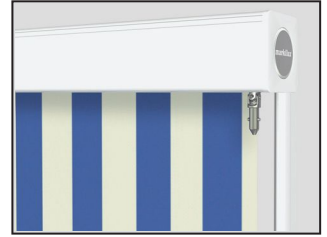
- When manually operated it is supplied with a markilux stainless steel winding handle - quality to get to grips with
- Direct fixture by means of the special guide rails and self-supporting cassette reducing the gap between guide rail and cover to a minimum



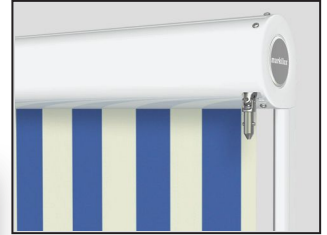
Side view of the markilux 820



Side view of the markilux 720



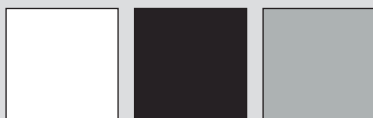
markilux 720



markilux 820



RAL colours:



optional accessories:




## dimensions and configuration options

unit height	Overall blind width									
	75	100	125	150	175	200	225	250	275	300
120	71 - 75	76 - 100	101 - 125	126 - 150	151 - 175	176 - 200	201 - 225	226 - 250	251 - 275	276 - 300
160										
200										
250										
300 <sup>30)</sup>										
350 <sup>30)</sup>										

dimensions in cm

30) In the 700 series (square cassette) only widely woven acrylic fabrics, transolair, sunsilk or Soltis 92 are available from a unit height of 250 cm. sunsilk is available up to a unit height of 300 cm.

 = available

configuration options	operation type	
	manual operation; handle with bayonet fitting	●
	manual operation from inside the building	○
	manual operation from the rear	○
	motor	○
	radio-controlled motor	○
	covers	
	acrylic 34 (fabric series 341xx-347xx)	○
	sunsilk SNC (fabric series 324xx/329xx)	○
	transolair (fabric series 339xx)	○ <sup>5</sup>
oversized acrylic (fabric series 349xx)	●	
signature (fabric series 369xx)	○	
Soltis 92	○ <sup>6</sup>	
perfortex (fabric series 333xx)	○	
transilk FR (fabric series 319xx)	○	
perla FR (fabric series 374xx/379xx)	○	
miscellaneous		
sun and wind sensor	○	
cover profiles for gap between tracks and cover	-	
Wedge-in accro bars	-	
coupled units		
coupled unit 2 fields	○	
coupled unit 3 fields	-	

● = fitted as standard

○ = optional accessory

- = not available

○<sup>5</sup> = cover seamless; from an overall width of 261 cm and a unit height of 251 cm with horizontal seam(s)

○<sup>6</sup> = cover seamless; from an overall width of 179 cm and a unit height of 171 cm with horizontal seam

**Standard manual operation** with bayonet fitting and universal joint made of stainless steel is operated from outside the building (winding handle lengths 110, 140, 160, 180 or 220 cm).

**Manual interior operation with universal joint:** This type of operation requires exact fixture, usually means high (labour) costs for the end consumer and can only be employed on single units. we therefore recommend the use of a radio-controlled motor.

**Manual operation using a universal joint and from the rear:** This operation type should be used with top fixture when the system can be approached from the rear (e.g. on balconies).

In the case of manual operation it takes approximately 24 turns per metre of overall unit height to extend the system.





**Extension when using a motor** takes approximately 15 seconds per metre.

**N.B!** If the motor is used continuously it will stop automatically after 3 to 4 minutes to prevent overheating.

In the case of a bank of awnings operating simultaneously, the same speed of rotation of the motors cannot be guaranteed because of the tolerances within the motors themselves.

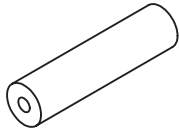
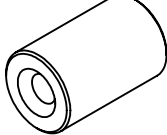
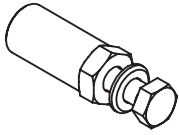
Coupled units are only available with motor (surcharge)

Maximum coupled unit width: 2 x 300 cm

frame colours		
	RAL 9016 traffic white	●
	RAL 8019 grey brown	●
	RAL 9006 metallic aluminium	●
	non-standard RAL colour	○

## fixings and accessories

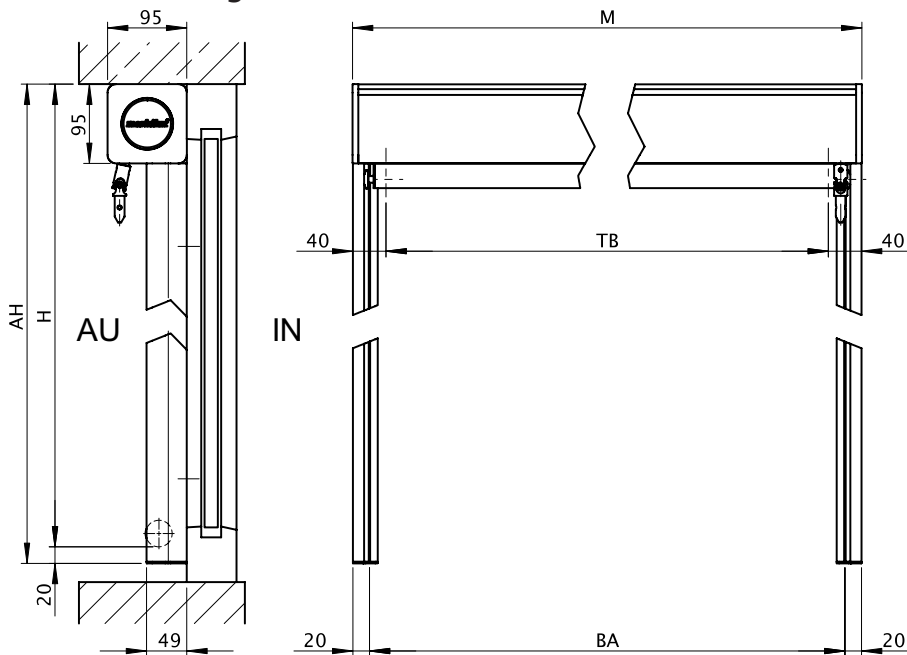
### markilux 740/840

	<p>Stand-off fixing tube</p> <p>30x10x1000 mm</p> <p>N.B! stack to a max. of 120 mm</p>
<p>701668</p>	
	<p>Stand-off piece for reveal fixture</p> <p>18x5.75x28mm</p>
<p>78643.</p>	
	<p>Reduction assembly M 10 - M 6 / SW 13</p> <p>30mm length (e.g. in the case of external insulation, instructions for use v. the chapter "Technical Information")</p>
<p>753211</p>	

. = insert RAL colour code no.

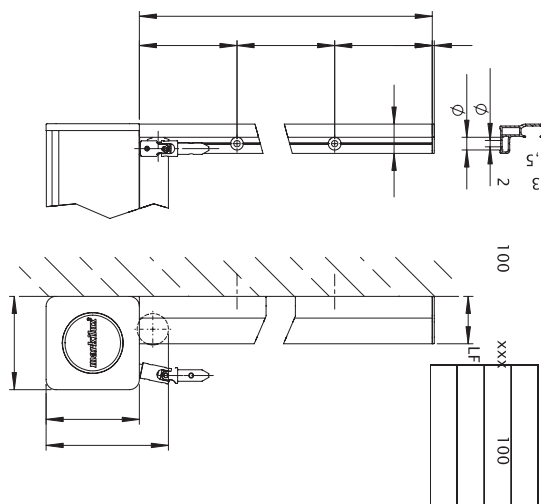
## How to fit the markilux 720

Schematic diagram of the dimensions



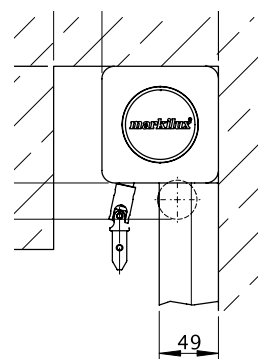
dimensions in mm

### Face fixture



dimensions in mm

### Top and reveal fixture

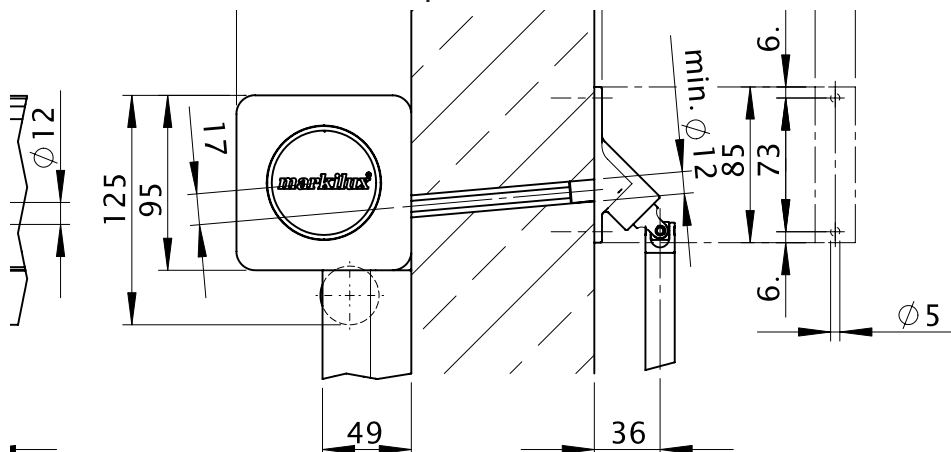


dimensions in mm

- AH = overall unit height
- H = extension
- AU = exterior
- IN = interior
- M = overall awning width
- TB = cover width
- BA = fixture width
- ABO = number of drill holes
- LF = length of the guide track
- xxx = even drill hole distribution

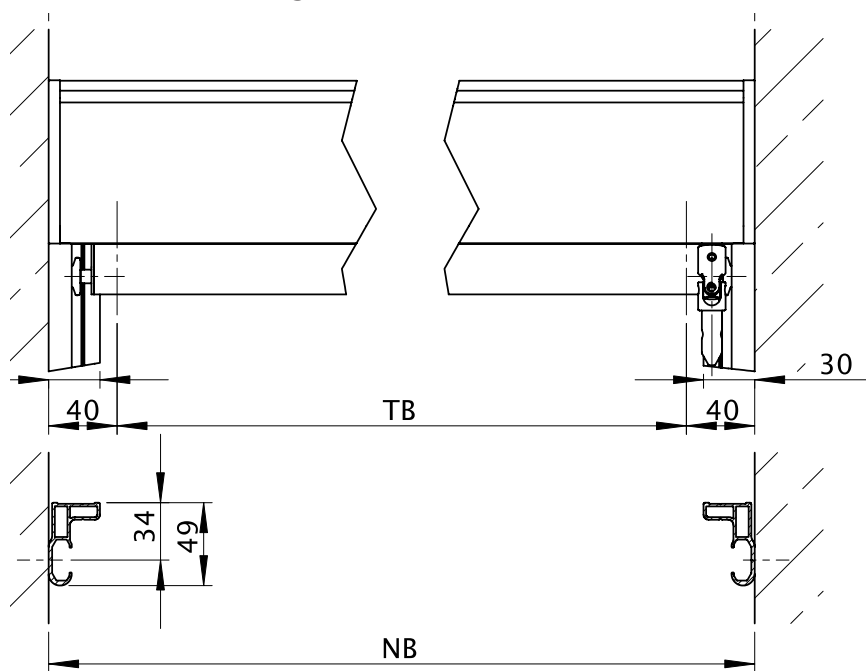
## How to fit the markilux 720

Face fixture with interior operation



dimensions in mm

Reveal fixture for gearbox/motor

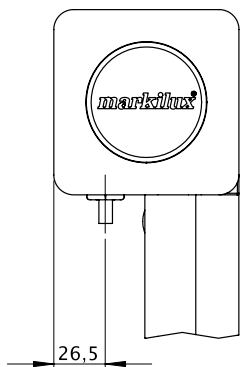
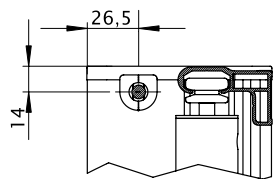


dimensions in mm

M = overall awning width  
 TB = cover width  
 NB = reveal width  
 BD = horizontal drill hole

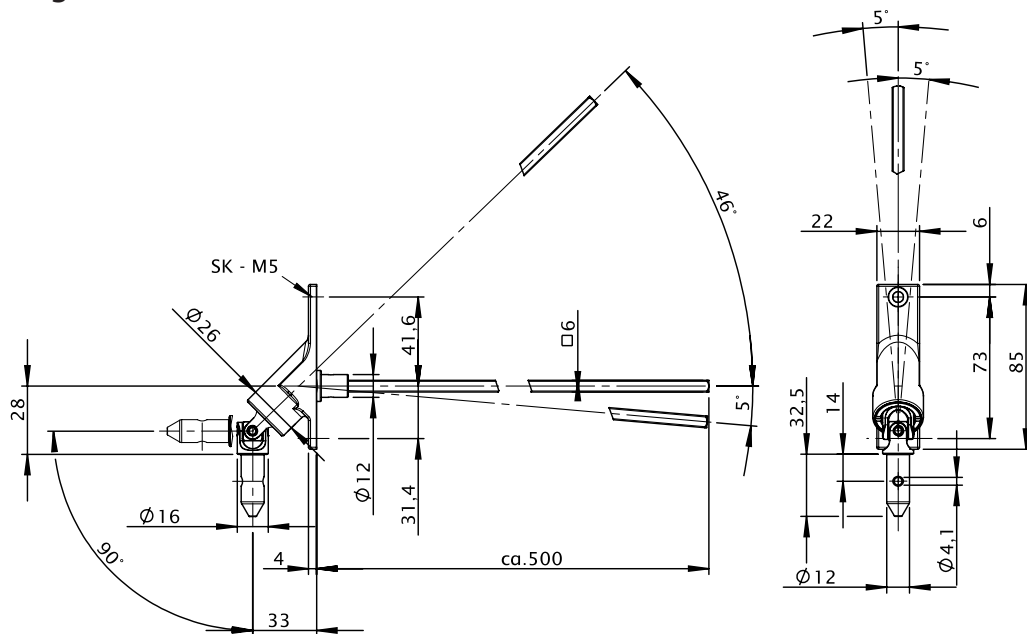
## How to fit the markilux 720

Cable exit on motor-driven units



dimensions in mm

Handle for interior operation  $\varnothing$  16 mm up to a vertical angle of  $90^\circ$  and a horizontal angle of  $5^\circ$

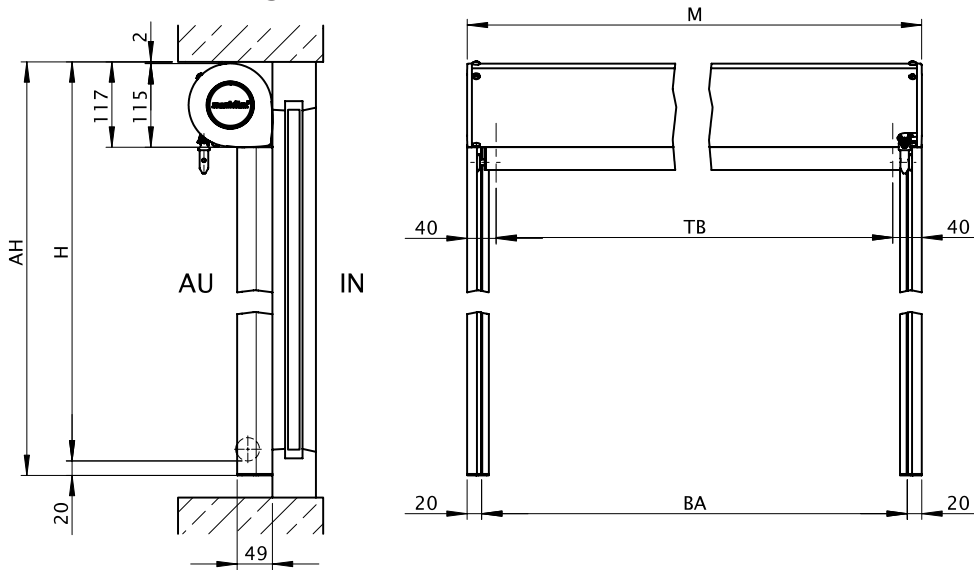


dimensions in mm

SK = drop

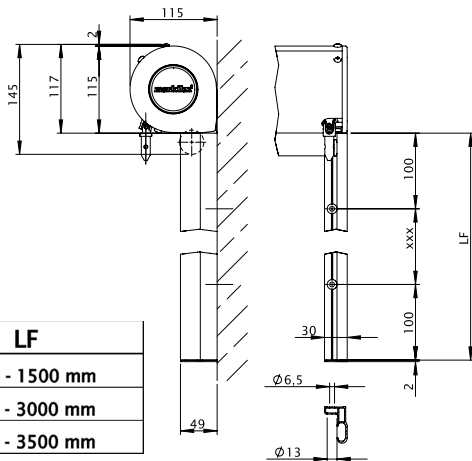
# How to fit the markilux 820

## Schematic diagram of the dimensions



dimensions in mm

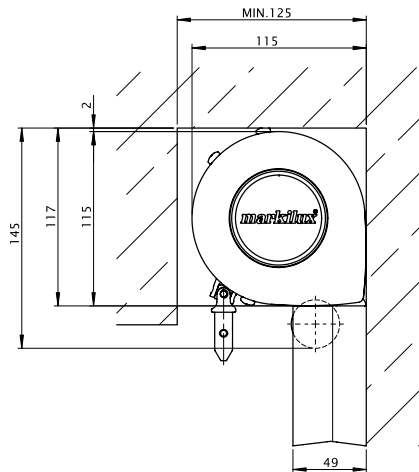
## Face fixture



ABO	LF
2	1 - 1500 mm
3	1501 - 3000 mm
4	3001 - 3500 mm

dimensions in mm

## Top and reveal fixture



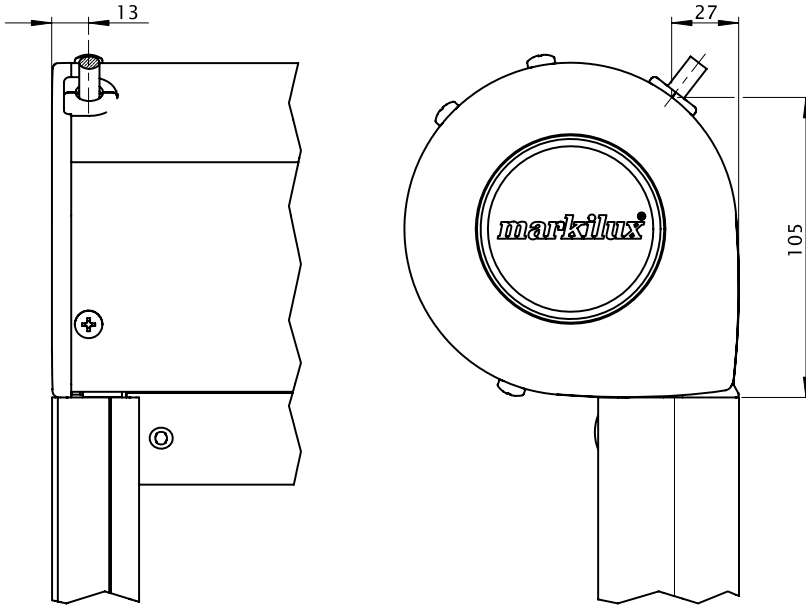
dimensions in mm

- AH = overall unit height
- H = extension
- AU = exterior
- IN = interior
- M = overall awning width
- TB = cover width
- BA = fixture width
- ABO = number of drill holes
- LF = length of the guide track
- xxx = even drill hole distribution



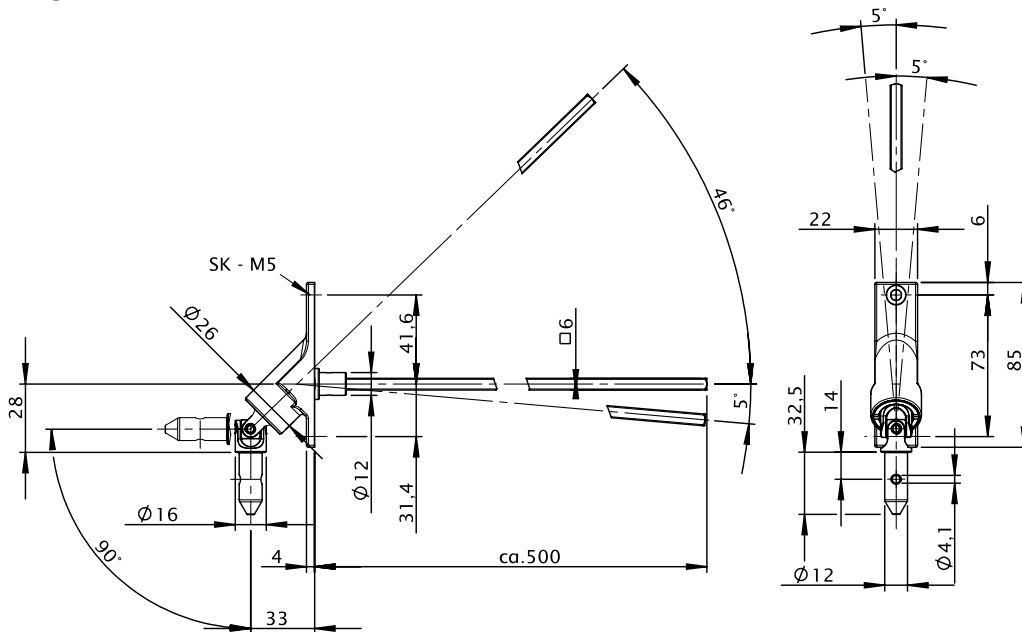
## How to fit the markilux 820

### Cable exit on motor-driven units



dimensions in mm

Handle for interior operation  $\varnothing$  16 mm up to a vertical angle of  $90^\circ$  and a horizontal angle of  $5^\circ$



dimensions in mm

SK = drop