

markilux 725/825

The vertical cassette blind with elegant guide tracks and variable, stand-off fixture



markilux 725/825

The vertical cassette blind with elegant guide tracks and variable, stand-off fixture

- design features**
- compact, square and discreet the cassette profile made of extruded aluminium is only 95 mm in height
 - when retracted the cover is protected from the weather by the cassette, which encloses it completely.
 - stand-off blind fixture. This embellishes the building further.
 - for long-lasting attractiveness the awning has been powder coated.
 - one-piece covers made from widely woven, plain awning fabrics make it possible to do away with seams entirely.
- technical highlights**
- the awning cover is guided by strong, aluminium guide tracks
 - sturdy, self-supporting cassette made of extruded aluminium
 - extremely solid, stainless steel side plate sheathed in plastic and powder coated
 - for ease of fixture a comprehensive selection of brackets is available.
 - operation by means of a smooth gearbox and universal joint
- optional accessories**
- awning covers made of acrylic material or sunsilk snc with self-cleaning effect. The cover joints are ultrasonically bonded to give a neater appearance without unsightly stitching.
 - hard-wired motor drive (optionally with automatic controls) for simple, relaxed operation.
 - radio-controlled motor with radio remote control for ease of use
 - an easily installed, radio control sun and wind sensor guarantees comfort and a degree of safety.
- When manually operated it is supplied with a markilux stainless steel winding handle - quality to get to grips with · Brackets with patented clip-on mechanism for simple, problem free fixture · Larger blinds or awnings can be supplied as a coupled unit



Side view of the markilux 825



Side view of the markilux 725



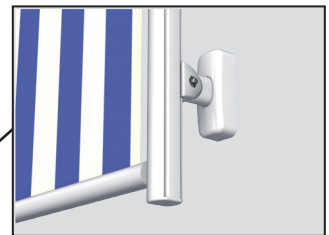
reveal fixture for square cassette



reveal fixture for round cassette

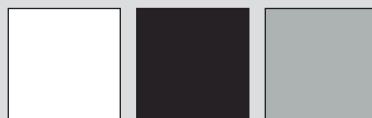


Cover profile to cover the gap between cover and track (optional)

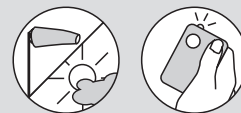


decorative cap assembly for track bracket (optional)

RAL colours:



optional accessories:





dimensions and configuration options

		Overall blind width									
		75	100	125	150	175	200	225	250	275	300
		66 - 75	76 - 100	101 - 125	126 - 150	151 - 175	176 - 200	201 - 225	226 - 250	251 - 275	276 - 300
overall width		+ 5	+ 5	+ 5	+ 5	+ 5	+ 5	+ 5	+ 5	+ 5	+ 5
unit height	120										
	160										
	200										
	250										
	300 ³⁰⁾										
	350 ³⁰⁾										

dimensions in cm

30) In the 700 series (square cassette) only widely woven acrylic fabrics, transolair, sunsilk or Soltis 92 are available from a unit height of 250 cm. sunsilk is available up to a unit height of 300 cm.

 = available, 2 brackets per track
 = available, 3 brackets per track

operation type	
manual operation; handle with bayonet fitting	●
manual operation from inside the building	-
manual operation from the rear	○
motor	○
radio-controlled motor	○
covers	
acrylic 34 (fabric series 341xx-347xx)	○
sunsilk SNC (fabric series 324xx/329xx)	○
transolair (fabric series 339xx)	○ ⁷
oversized acrylic (fabric series 349xx)	●
signature (fabric series 369xx)	○
Soltis 92	○ ⁸
perfortex (fabric series 333xx)	○
transilk FR (fabric series 319xx)	○
perla FR (fabric series 374xx/379xx)	○
miscellaneous	
sun and wind sensor	○
cover profiles for gap between tracks and cover	○
Wedge-in accro bars	-
coupled units	
coupled unit 2 fields	○
coupled unit 3 fields	-

- = fitted as standard
- = optional accessory
- = not available
- ⁷ = cover seamless; from a fixture width of 261 cm and a unit height of 251 cm with horizontal seam(s)
- ⁸ = cover seamless; from a fixture width of 179 cm and a unit height of 171 cm with horizontal seam

Standard manual operation with bayonet fitting and universal joint made of stainless steel is operated from outside the building (winding handle lengths 110, 140, 160, 180 or 220 cm).

Manual operation using a universal joint and from the rear: This operation type should be used with top fixture when the system can be approached from the rear (e.g. on balconies).

In the case of manual operation it takes approximately 24 turns per metre of overall unit height to extend the system.





Extension when using a motor takes approximately 15 seconds per metre.

N.B! If the motor is used continuously it will stop automatically after 3 to 4 minutes to prevent overheating.

In the case of a **bank of awnings operating simultaneously**, the same speed of rotation of the motors cannot be guaranteed because of the tolerances within the motors themselves.

Coupled units are only available with motor (surcharge)

Maximum coupled unit width: 2 x 300 cm

frame colours		
	RAL 9016 traffic white	●
	RAL 8019 grey brown	●
	RAL 9006 metallic aluminium	●
	non-standard RAL colour	○

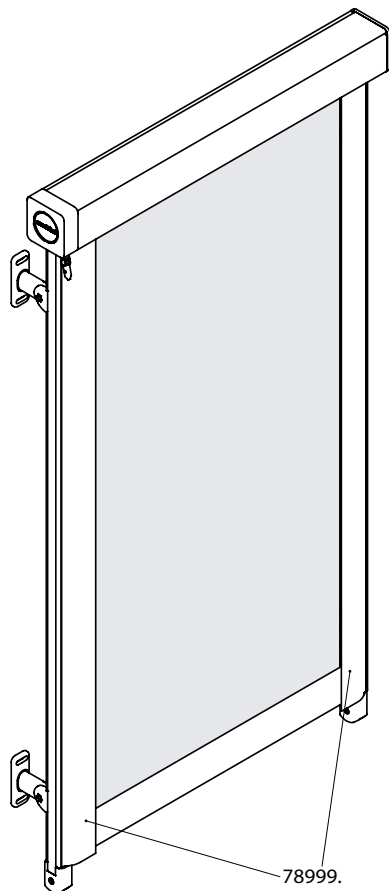
fixings and accessories

<p>78548.</p>	<p>flat track bracket</p>	<p>78454.</p>	<p>double track bracket with swivel top</p> <p>80mm</p> <p>coupled unit</p>	<p>fixture dimensions of swivel top track brackets</p>
<p>78451.</p>	<p>track bracket with swivel top</p> <p>80mm</p>	<p>78663.</p>	<p>double track bracket with swivel top</p> <p>100mm</p> <p>coupled unit</p>	<p>753211</p> <p>Reduction assembly M 10 - M 6 / SW 13</p> <p>30mm length (e.g. in the case of external insulation, instructions for use v. the chapter "Technical Information")</p>
<p>78538.</p>	<p>track bracket with swivel top</p> <p>100mm</p>	<p>78664.</p>	<p>double track bracket with swivel top</p> <p>140mm</p> <p>coupled unit</p>	
<p>78539.</p>	<p>track bracket with swivel top</p> <p>140mm</p>	<p>78665.</p>	<p>double track bracket with swivel top</p> <p>100 - 500 mm, coupled unit</p>	
<p>78540.</p>	<p>track bracket with swivel top</p> <p>100 - 500 mm</p>	<p>76603.</p>	<p>decorative cap assembly for track bracket</p> <p>in the case of: 78451., 78538., 78543.</p>	
<p>78719.</p>	<p>angled bracket for bearing or motor side, fixture method 15</p> <p>(in the case of the markilux 869 and 889 also for gearbox operation; fixture between beams, walls etc.)</p> <p>50x50x80mm</p>	<p>76604.</p>	<p>decorative cap assembly for track bracket</p> <p>in the case of: 78539., 78540., 78545., 78658.</p>	
<p>78660.</p>	<p>double flat track bracket</p> <p>coupled unit</p>	<p>78999.</p>	<p>Gap cover profile</p>	

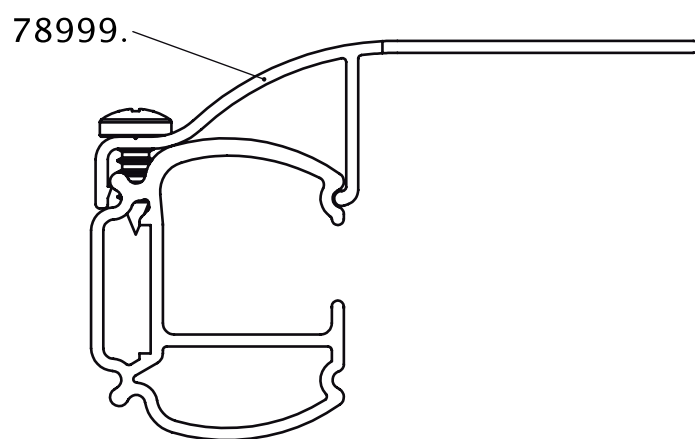
. = insert RAL colour code no.

Fixing of the gap cover profile for gaps between cover and tracks (optional)

sample of a square cassette



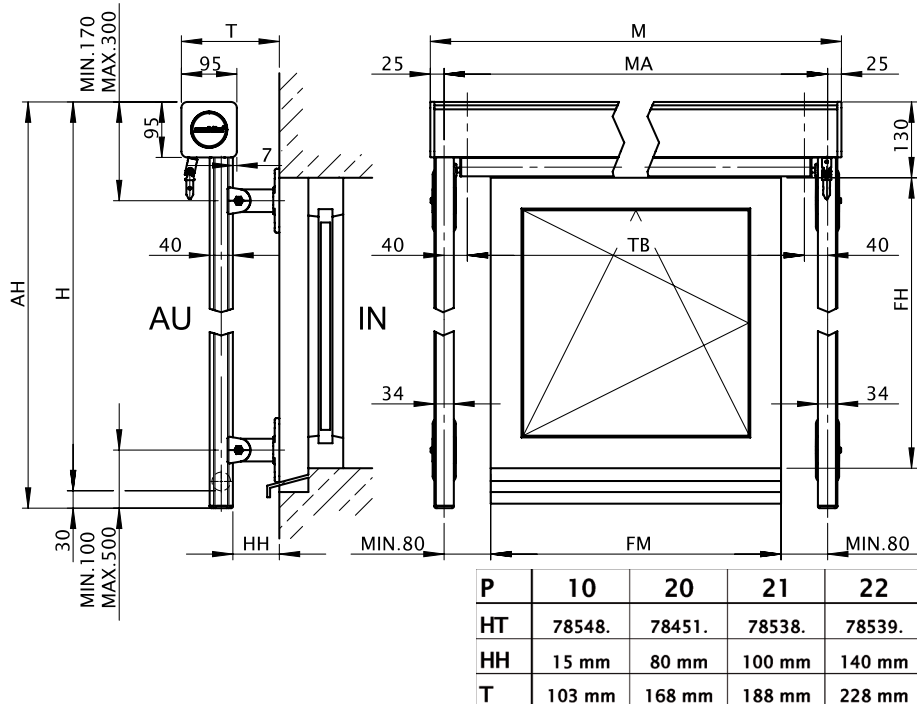
cross section of gap cover profile



78999.: gap cover profile 760/860/780/880/889

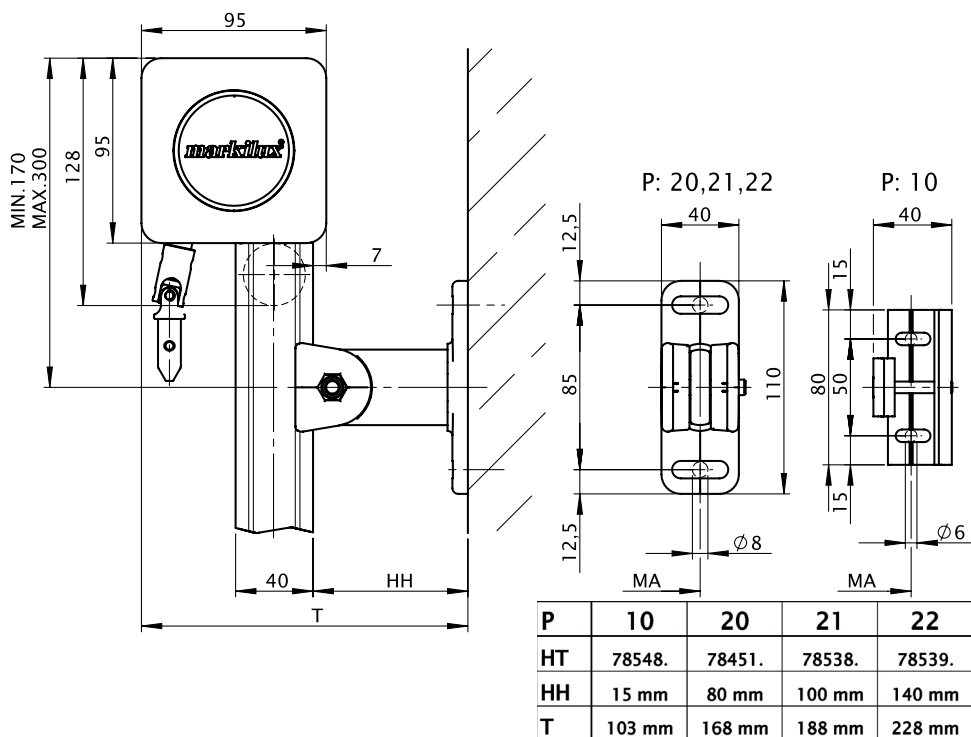
How to fit the markilux 725

Schematic diagram of the dimensions



dimensions in mm

Face fixture

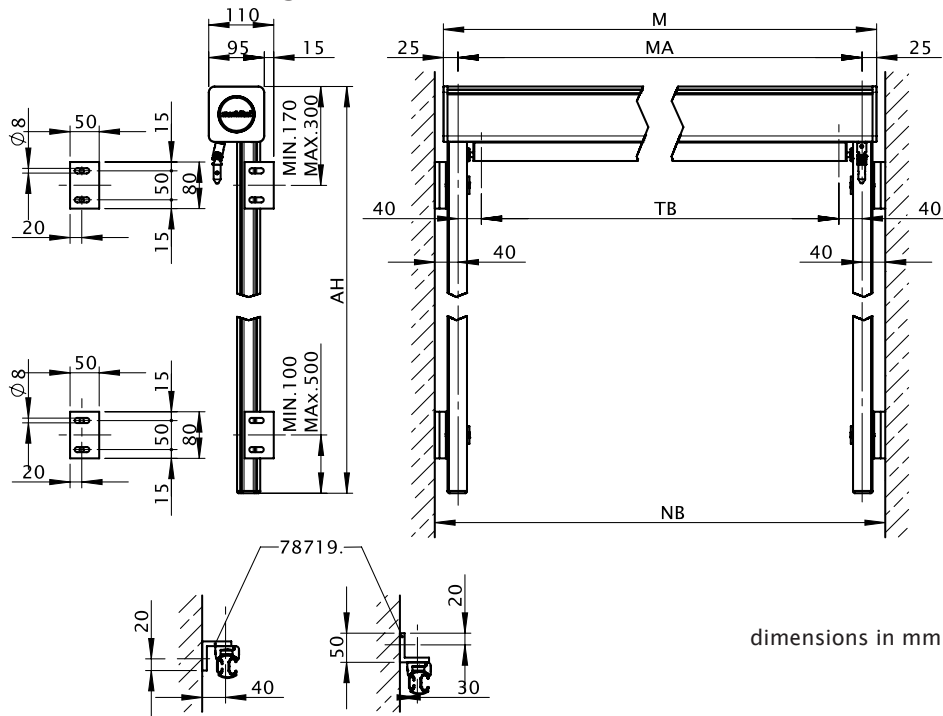


dimensions in mm

- AH = overall unit height
- H = extension
- T = Depth
- M = overall awning width
- MA = awning width between fixture points = order width
- TB = cover width
- AU = exterior
- IN = interior
- HH = fixture bracket height
- FH = Facade height
- FM = Facade width
- HT = bracket
- P = fixture combination

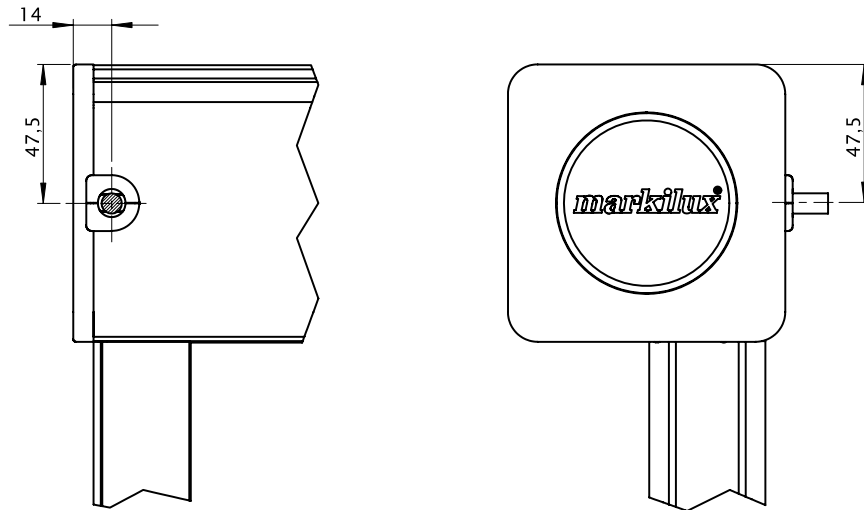
How to fit the markilux 725

reveal fixture for gearbox and motor respectively (fixture method 15)



dimensions in mm

Cable exit on motor-driven units



dimensions in mm

AH = overall unit height
M = overall awning width
MA = awning width between fixture points = order width
TB = cover width
NB = reveal width
AU = exterior
IN = interior

