



markilux 750/850

The vertical cassette blind with stainless steel guide rods.
The elegant alternative to the customary guide cable.



markilux 750/850

The vertical cassette blind with stainless steel guide rods.
The elegant alternative to the customary guide cable.

- design features**
- vertical blind. Complete protection from the sun and inquisitive glances
 - compact, square and discreet the cassette profile made of extruded aluminium is only 95 mm in height
 - the cover is guided down stainless steel rods
 - for long-lasting attractiveness the awning has been powder coated.
 - when retracted the cover is protected from the weather by the cassette, which encloses it completely.

- technical highlights**
- sturdy, self-supporting cassette made of extruded aluminium
 - operation by means of a smooth gearbox and universal joint
 - larger units can be supplied as coupled units
 - extremely solid, stainless steel side plate sheathed in plastic and powder coated

- optional accessories**
- awning covers made of acrylic material or sunsilk snc with self-cleaning effect. The cover joints are ultrasonically bonded to give a neater appearance without unsightly stitching.
 - hard-wired motor drive (optionally with automatic controls) for simple, relaxed operation.
 - radio-controlled motor with radio remote control for ease of use
 - an easily installed, radio control sun and wind sensor guarantees comfort and a degree of safety.
 - interior operation. For manual operation from within the building

· One-piece covers made from widely woven, plain awning fabrics make it possible to do away with seams entirely. · In the case of manual operation supplied with a markilux stainless steel winding handle - quality to get to grips with



reveal fixture for round cassette



reveal fixture for square cassette



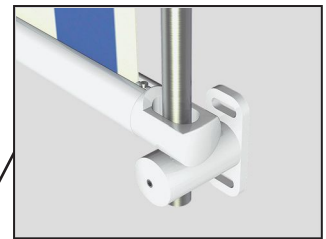
Side view of the markilux 850



Side view of the markilux 750



markilux 850



Guide rod bracket with stainless steel guide rod

RAL colours:



optional accessories:



dimensions and configuration options

unit height	Overall blind width																	
	75	100	125	150	175	200	225	250	275	300	325	350	375	400	425	450	475	500
120	74-75	76-100	101-125	126-150	151-175	176-200	201-225	226-250	251-275	276-300	301-325	326-350	351-375	376-400	401-425	426-450	451-475	476-500
160																		
200																		
250																		
300 ³⁰⁾																		
350 ^{30) 30)}																		

30) In the 700 series (square cassette) only widely woven acrylic fabrics, transolair, sunsilk or Soltis 92 are available from a unit height of 250 cm. sunsilk is available up to a unit height of 300 cm.

31) From a unit height of 301 cm only widely woven acrylic fabric is available and the unit width is limited to 300 cm

dimensions in cm

- = available with 2 brackets for the cassette
- = available with 3 brackets for the cassette

configuration options	operation type	
	manual operation; handle with bayonet fitting	●
	manual operation from inside the building	○
	manual operation from the rear	○
	motor	○
	radio-controlled motor	○
	covers	
	acrylic 34 (fabric series 341xx-347xx)	○
	sunsilk SNC (fabric series 324xx/329xx)	○
	transolair (fabric series 339xx)	○ ¹⁴⁾
	oversized acrylic (fabric series 349xx)	●
	signature (fabric series 369xx)	○
	Soltis 92	○ ¹⁵⁾
perfortex (fabric series 333xx)	○	
transilk FR (fabric series 319xx)	○	
perla FR (fabric series 374xx/379xx)	○	
miscellaneous		
sun and wind sensor	○	
cover profiles for gap between tracks and cover	-	
Wedge-in accro bars	-	
coupled units		
coupled unit 2 fields	○	
coupled unit 3 fields	-	

- = fitted as standard
- = optional accessory
- = not available
- ¹⁴⁾ = cover seamless, from an overall width of 264 cm and a unit height of 251 cm with horizontal seam(s)
- ¹⁵⁾ = cover seamless, from an overall width of 182 cm and a unit height of 171 cm with horizontal seam

Standard manual operation with bayonet fitting and universal joint made of stainless steel is operated from outside the building (winding handle lengths 110, 140, 160, 180 or 220 cm).

Manual interior operation with universal joint: This type of operation requires exact fixture, usually means high (labour) costs for the end consumer and can only be employed on single units. we therefore recommend the use of a radio-controlled motor.

Manual operation using a universal joint and from the rear: This operation type should be used with top fixture when the system can be approached from the rear (e.g. on balconies).

In the case of manual operation it takes approximately 24 turns per metre of overall unit height to extend the system.

Extension when using a motor takes approximately 15 seconds per metre.

N.B! If the motor is used continuously it will stop automatically after 3 to 4 minutes to prevent overheating.

In the case of a bank of awnings operating simultaneously, the same speed of rotation of the motors cannot be guaranteed because of the tolerances within the motors themselves.

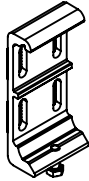
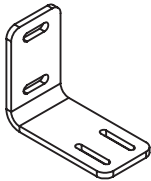
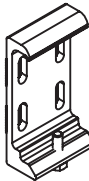
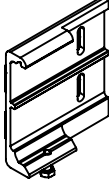
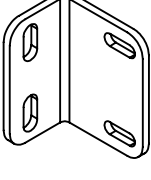
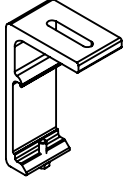
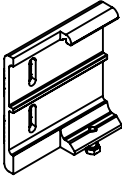
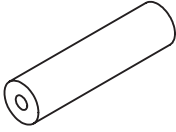
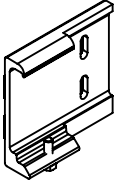
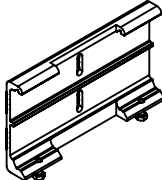
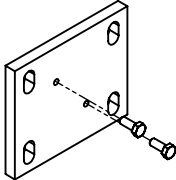
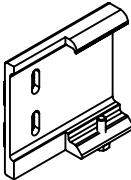
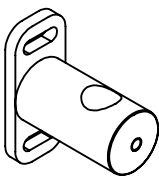
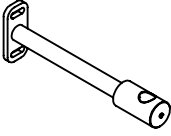
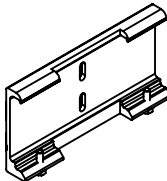
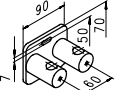
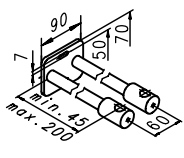
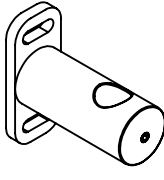
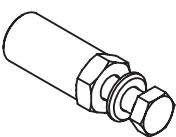
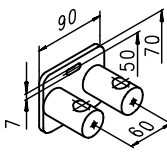
If several single units are fitted next to one another, the distance between the side cheeks must be 18 mm for the markilux 750 and 22 mm for the markilux 850.

Coupled units are only available with motor (surcharge)

Maximum width of coupled units: 2 x 500 cm

frame colours		
	RAL 9016 traffic white	●
	RAL 8019 grey brown	●
	RAL 9006 metallic aluminium	●
	non-standard RAL colour	○

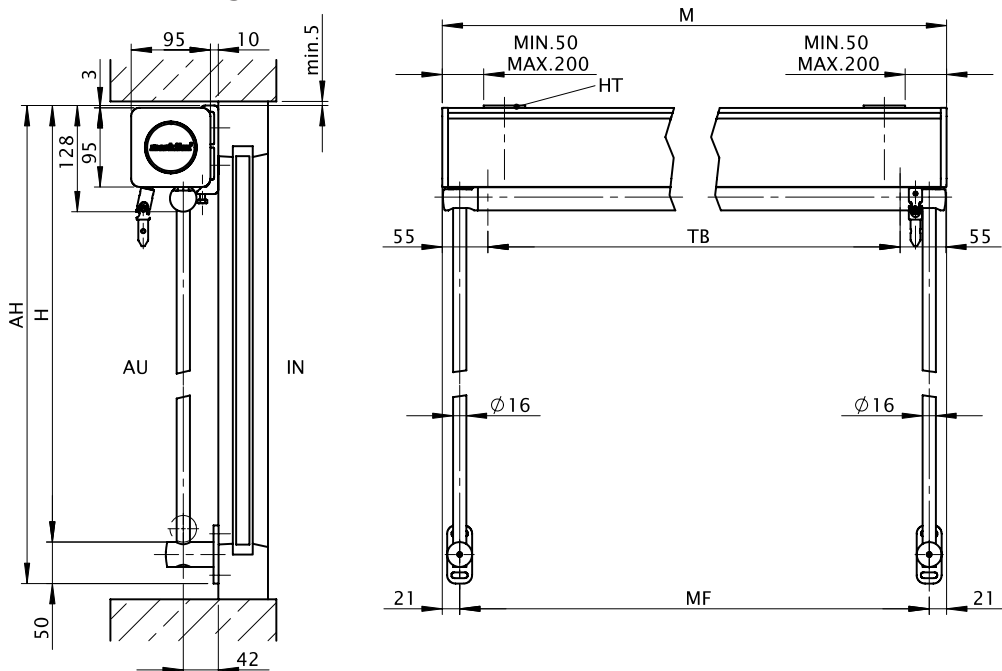
fixings and accessories

markilux 750	markilux 750/850	markilux 850
 Universal bracket assembly 50mm 78758.	 Additional angled plate for reveal fixture 120x100x60mm 77220.	 Face fixture bracket assembly 50mm 78556.
 Universal bracket assembly with plate "right" for lateral fixture N.B! Not for the operation side: - Interior operation - operation from the rear 78916.	 Reveal angle bracket for guide rod bracket 40x55x70mm 75044.	 Top fixture bracket assembly 50mm 78558.
 Universal bracket assembly with plate "left" for lateral fixture N.B! Not for the operation side: - Interior operation - operation from the rear 78917.	 Stand-off fixing tube 30x10x1000 mm N.B! stack to a max. of 120 mm 701668	 Face fixture bracket assembly with plate "right" for lateral fixture N.B! Not for the operation side: - Interior operation - operation from the rear 78746.
 Universal bracket assembly for coupled units for central fixture 78919.	 Fixture plate assembly for face/universal brackets 100x120x10 mm 78982.	 Face fixture bracket assembly with plate "left" for lateral fixture N.B! Not for the operation side: - Interior operation - operation from the rear 78747.
 Guide rod bracket assembly 79359.	 Elongated guide rod bracket assembly 200mm 79112.	 Face fixture bracket assembly for coupled units for central fixture 78744.
 Guide rod bracket assembly for coupled unit 79374.	 Elongated guide rod bracket assembly for coupled unit 79375.	 Guide rod bracket assembly 79100.
	 Reduction assembly M 10 - M 6 / SW 13 30mm length (e.g. in the case of external insulation, instructions for use v. the chapter "Technical Information") 753211	 Guide rod bracket assembly for coupled unit 79462.

. = insert RAL colour code no.

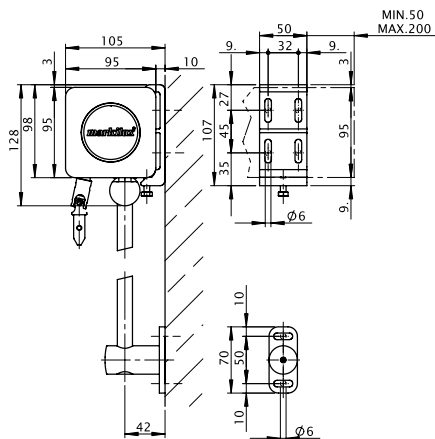
How to fit the markilux 750

Schematic diagram of the dimensions



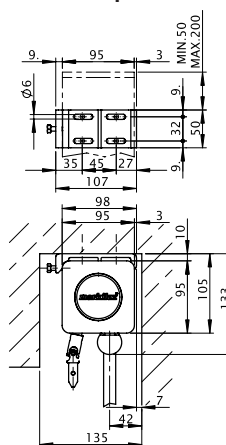
dimensions in mm

Face fixture



dimensions in mm

Top and reveal fixture

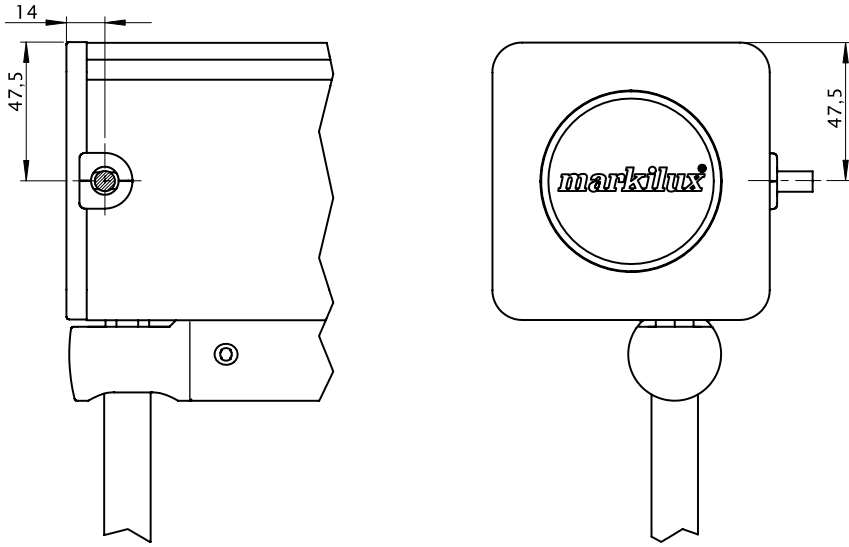


dimensions in mm

- AH = overall unit height
- H = extension
- AU = exterior
- IN = interior
- M = overall awning width
- HT = bracket
- TB = cover width
- MF = centre of the cable guide, centre of the stainless steel guide rod, fixture width

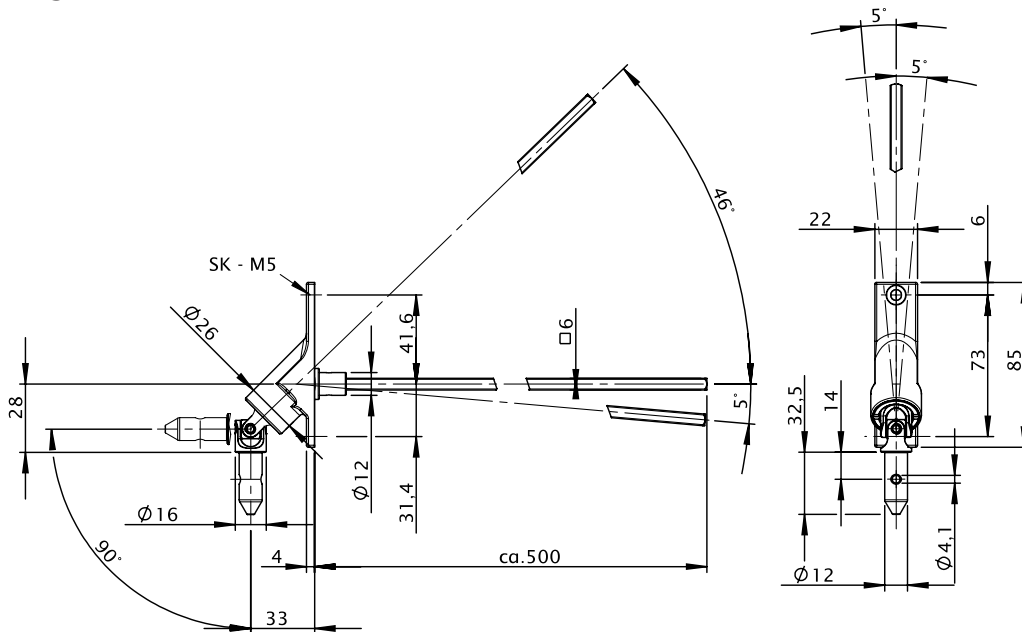
How to fit the markilux 750

Cable exit on motor-driven units



dimensions in mm

Handle for interior operation \varnothing 16 mm up to a vertical angle of 90° and a horizontal angle of 5°

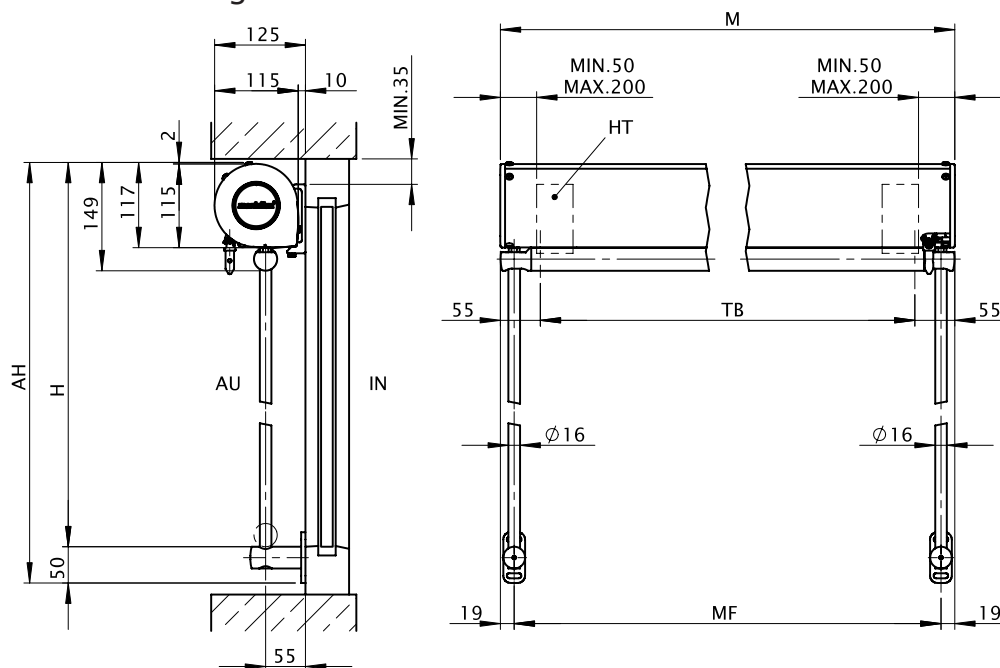


dimensions in mm

SK = drop

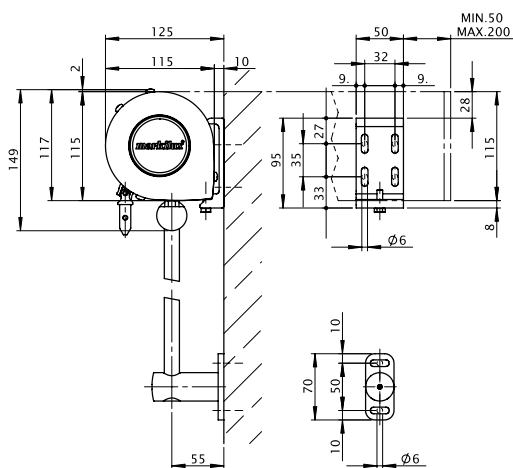
How to fit the markilux 850

Schematic diagram of the dimensions



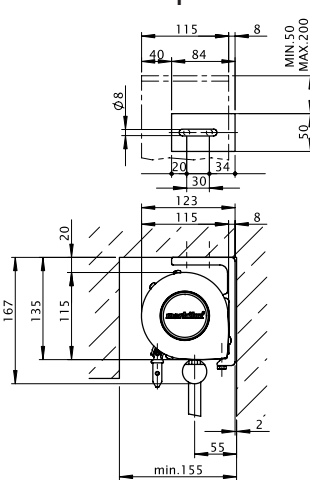
dimensions in mm

Face fixture



dimensions in mm

Top and reveal fixture

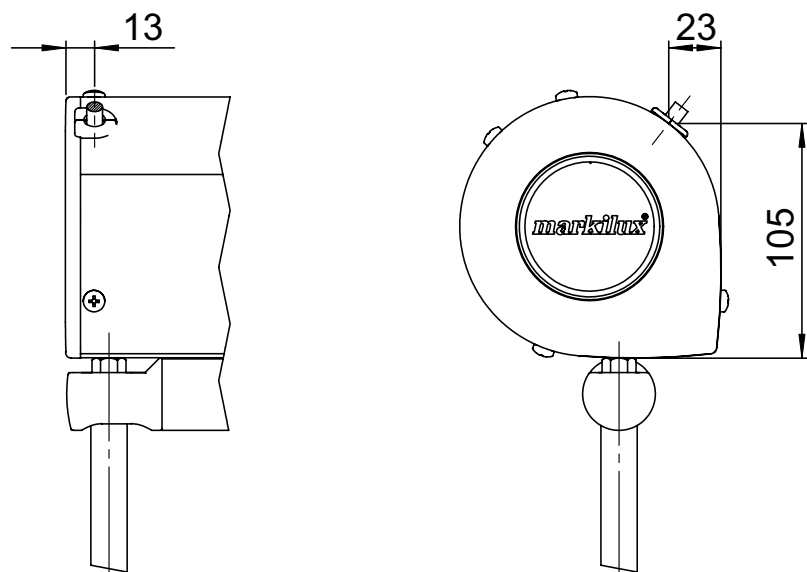


dimensions in mm

- AH = overall unit height
- H = extension
- AU = exterior
- IN = interior
- M = overall awning width
- HT = bracket
- TB = cover width
- MF = centre of the cable guide rod, fixture width

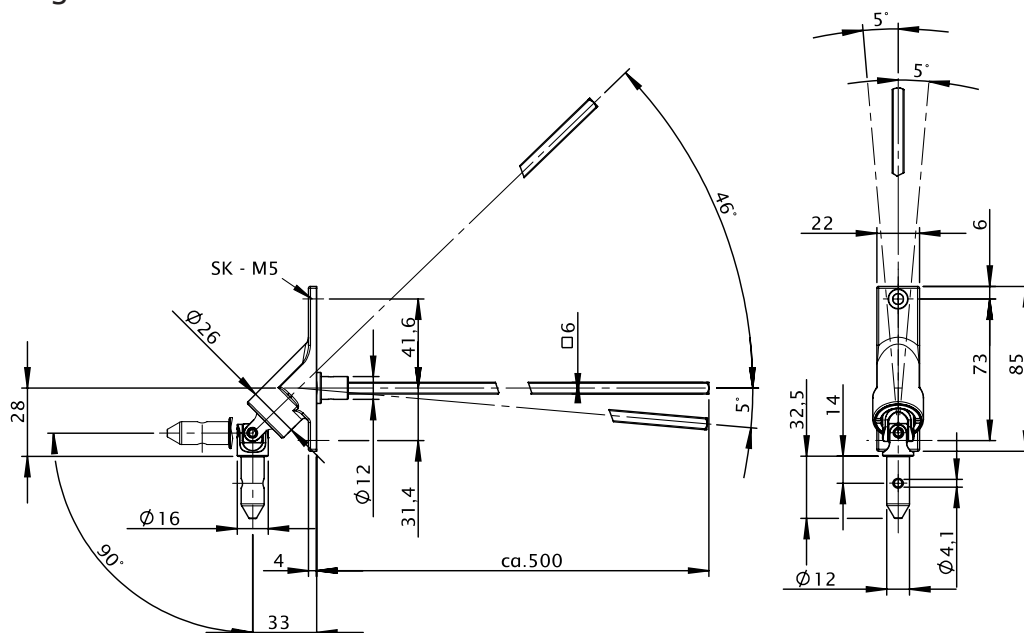
How to fit the markilux 850

Cable exit on motor-driven units



dimensions in mm

Handle for interior operation \varnothing 16 mm up to a vertical angle of 90° and a horizontal angle of 5°



dimensions in mm

SK = drop