



## ***markilux* 760/860**

The vertical cassette blind with guide tracks and tensioning system that gives excellent cover tension and an excellent appearance.



# **markilux 760/860**

The vertical cassette blind with guide tracks and tensioning system that gives excellent cover tension and an excellent appearance.

- design features**
- the vertical, tensioned blind. Complete protection from the sun, the wind and inquisitive glances
  - compact, square and discreet the cassette profile made of extruded aluminium is only 95 mm in height
  - stand-off blind fixture. This embellishes the building further.
  - for long-lasting attractiveness the awning has been powder coated.
  - when retracted the cover is protected from the weather by the cassette, which encloses it completely.

- technical highlights**
- the awning cover is guided by strong, aluminium guide tracks
  - sturdy, self-supporting cassette made of extruded aluminium
  - extremely solid, stainless steel side plate sheathed in plastic and powder coated
  - special vario-belts ensure optimum cover tension when the awning is completely extended
  - operation by means of a smooth gearbox and universal joint

- optional accessories**
- awning covers made of acrylic material or sunsilk snc with self-cleaning effect. The cover joints are ultrasonically bonded to give a neater appearance without unsightly stitching.
  - hard-wired motor drive (optionally with automatic controls) for simple, relaxed operation.
  - radio-controlled motor with radio remote control for ease of use
  - an easily installed, radio control sun and wind sensor guarantees comfort and a degree of safety.

- Larger awnings can be supplied as coupled units
- To assist in fixture a broad selection of brackets is available
- Brackets with patented clip-on mechanism for simple, problem-free fixture of the blind
- The belt rollers run in Teflon-coated bushes



Unit when closed



Side view of the markilux 860



Side view of the markilux 760



Reveal fixture, round cassette



Reveal fixture, square cassette



Cover profile to cover the gap between cover and track (optional)

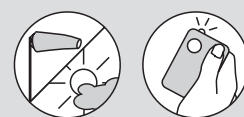


Decorative cap assembly for track bracket (optional)

RAL colours:



optional accessories:



## dimensions and configuration options


		Overall blind width										Minimum width for a hard-wired motor	Minimum width for a radio-controlled motor	
		75	100	125	165	205	245	285	325	350	375			400
		62 - 75	76 - 100	101 - 125	126 - 165	166 - 205	206 - 245	246 - 285	286 - 325	326 - 350	351 - 375	376 - 400		
Overall width, motor operation		+ 5	+ 5	+ 5	+ 5	+ 5	+ 5	+ 5	+ 5	+ 5	+ 5	+ 5		
Overall width, manual operation		+ 8	+ 8	+ 8	+ 8	+ 8	+ 8	+ 8	+ 8	+ 8	+ 8	+ 8		
unit height	150												62	76
	200												62	76
	250												62	76
	300												62	76
	350 <sup>30)</sup> 31) 33)												62	76
	400 <sup>30)</sup> 31) 33)												62	76


dimensions in cm

30) In the 700 series (square cassette) only widely woven acrylic fabrics, transolair, sunsilk or Soltis 92 are available from a unit height of 250 cm. sunsilk is available up to a unit height of 300 cm.

31) Only widely woven acrylic fabrics are available for units with a height greater than 300 cm.

33) From a unit height of 301 cm 3 brackets will be supplied per guide track.

 = available, 2 brackets per track

 = available, 3 brackets per track

operation type	
manual operation; handle with bayonet fitting	●
manual operation from inside the building	–
manual operation from the rear	–
motor	○
radio-controlled motor	○
covers	
acrylic 34 (fabric series 341xx-347xx)	○
sunsilk SNC (fabric series 324xx/329xx)	○
transolair (fabric series 339xx)	○ <sup>7</sup>
oversized acrylic (fabric series 349xx)	●
signature (fabric series 369xx)	○
Soltis 92	○ <sup>8</sup>
perfortex (fabric series 333xx)	○
transilk FR (fabric series 319xx)	○ <sup>18</sup>
perla FR (fabric series 374xx/379xx)	○
miscellaneous	
sun and wind sensor	○
cover profiles for gap between tracks and cover	○
Wedge-in accro bars	–
coupled units	
coupled unit 2 fields	–
coupled unit 3 fields	–

● = fitted as standard

○ = optional accessory

– = not available

○<sup>7</sup> = cover seamless, from a fixture width of 261 cm and a unit height of 251 cm with horizontal seam(s)

○<sup>8</sup> = cover seamless, from a fixture width of 179 cm and a unit height of 171 cm with horizontal seam(s)

○<sup>18</sup> = transilk FR up to a width of 250cm





**Standard manual operation** with bayonet fitting and universal joint made of stainless steel is operated from outside the building (winding handle lengths 110, 140, 160, 180 or 220 cm).

In the case of manual operation it takes approximately 24 turns per metre of overall unit height to extend the system.

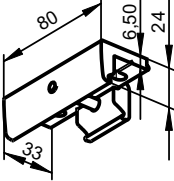

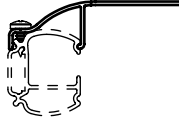
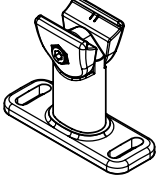
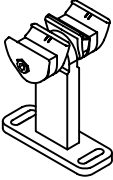
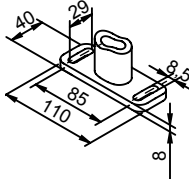
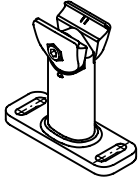
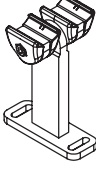
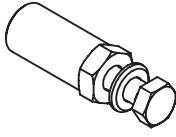
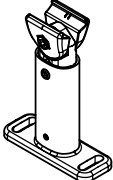


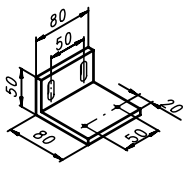
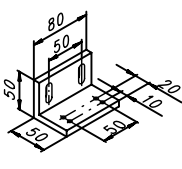
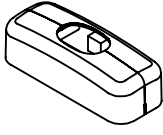
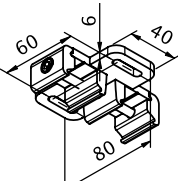
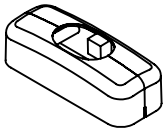
**Extension when using a motor** takes approximately 15 seconds per metre.

**N.B!** If the motor is used continuously it will stop automatically after 3 to 4 minutes to prevent overheating.

In the case of a bank of awnings operating simultaneously, the same speed of rotation of the motors cannot be guaranteed because of the tolerances within the motors themselves.

frame colours		
	RAL 9016 traffic white	●
	RAL 8019 grey brown	●
	RAL 9006 metallic aluminium	●
	non-standard RAL colour	○

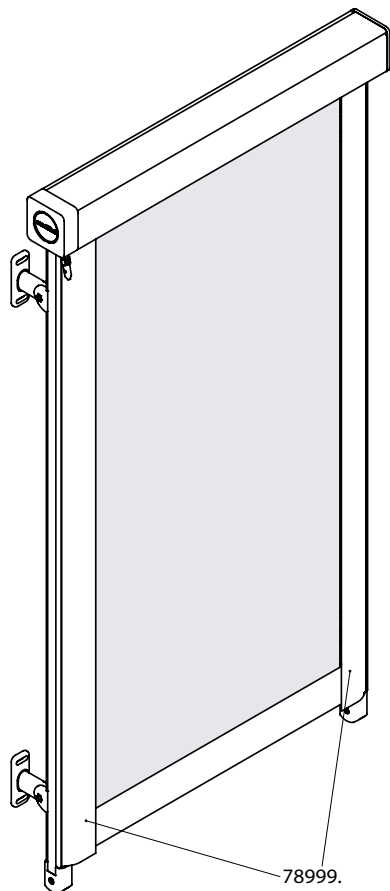
fixings and accessories

markilux 760/860	markilux 760/860	markilux 760/860
 <p>78548.</p> <p>flat track bracket</p>	 <p>78654.</p> <p>double track bracket with swivel top</p> <p>80 mm</p> <p>2 single units</p>	 <p>78999.</p> <p>Gap cover profile</p>
 <p>78451.</p> <p>track bracket with swivel top</p> <p>80 mm</p>	 <p>78658.</p> <p>double track bracket with swivel top</p> <p>100 mm</p> <p>2 single units</p>	 <p>fixture dimensions of swivel top track brackets</p>
 <p>78538.</p> <p>track bracket with swivel top</p> <p>100 mm</p>	 <p>78683.</p> <p>double track bracket with swivel top</p> <p>140 mm</p> <p>2 single units</p>	 <p>753211</p> <p>Reduction assembly M 10 - M 6 / SW 13</p> <p>30mm length</p> <p>(e.g. in the case of external insulation, instructions for use v. the chapter "Technical Information")</p>
 <p>78539.</p> <p>track bracket with swivel top</p> <p>140 mm</p>	 <p>78685.</p> <p>double track bracket with swivel top</p> <p>140 - 500 mm,</p> <p>2 single units</p>	
 <p>78540.</p> <p>track bracket with swivel top</p> <p>100 - 500 mm</p>	 <p>78720.</p> <p>Angled bracket for gearbox side, fixture method 15</p> <p>80x50x80mm</p> <p>(fixture between beams, walls etc.)</p>	
 <p>78719.</p> <p>angled bracket for bearing or motor side, fixture method 15</p> <p>(in the case of the markilux 869 and 889 also for gearbox operation; fixture between beams, walls etc.)</p> <p>50x50x80mm</p>	 <p>76603.</p> <p>decorative cap assembly for track bracket</p> <p>in the case of: 78451., 78538., 78543.</p>	
 <p>78671.</p> <p>double flat track bracket</p> <p>2 single units</p>	 <p>76604.</p> <p>decorative cap assembly for track bracket</p> <p>in the case of: 78539., 78540., 78545., 78658.</p>	

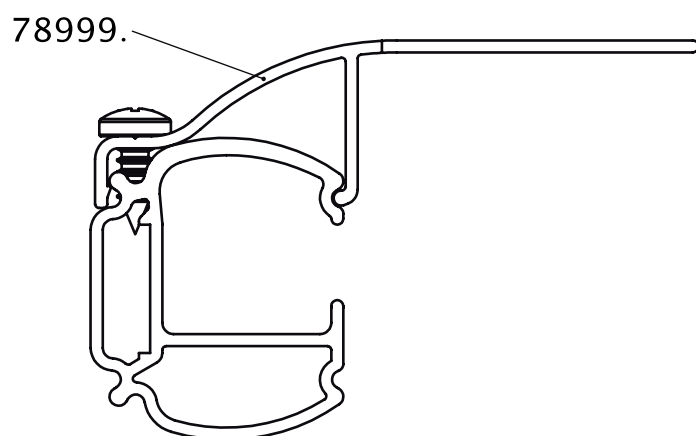
. = insert RAL colour code no.

## Fixing of the gap cover profile for gaps between cover and tracks (optional)

using the example of a square cassette



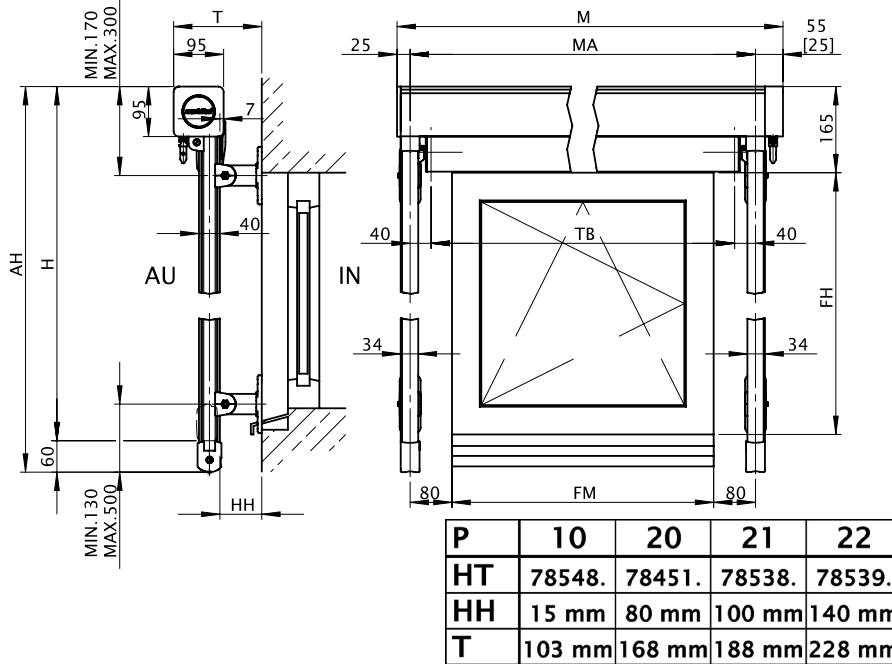
cross section of gap cover profile



78999.: gap cover profile 760/860/780/880/889

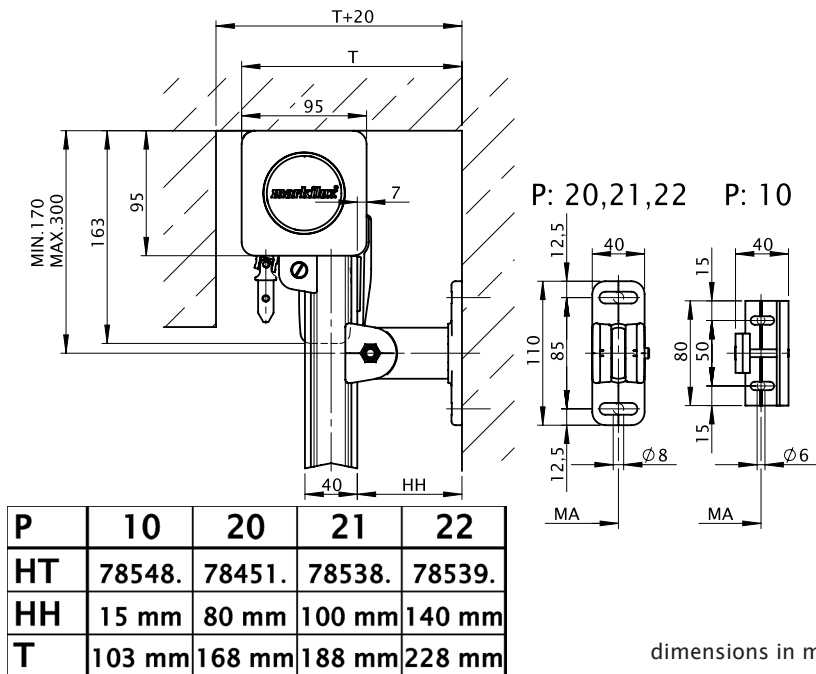
# How to fit the markilux 760

## Schematic diagram of the dimensions



dimensions in mm

## Face and reveal fixture



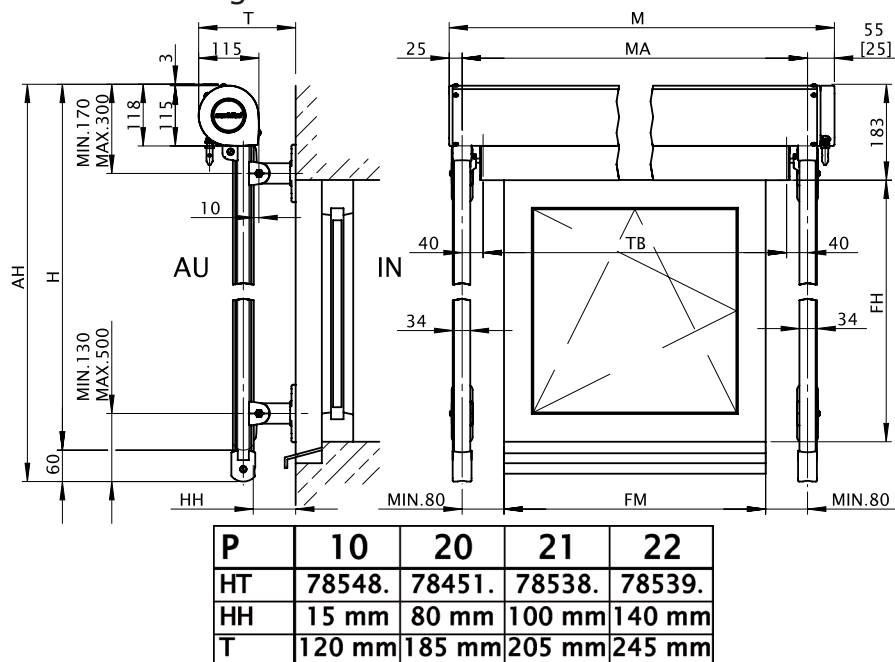
dimensions in mm

- AH = overall unit height
- H = extension
- T = Depth
- AU = exterior
- IN = interior
- HH = fixture bracket height
- M = overall awning width
- MA = awning width between fixture points = order width
- TB = cover width
- FH = Facade height
- [...] = dimensions in the case of motorised operation
- P = fixture combination
- HT = bracket
- FM = Facade width



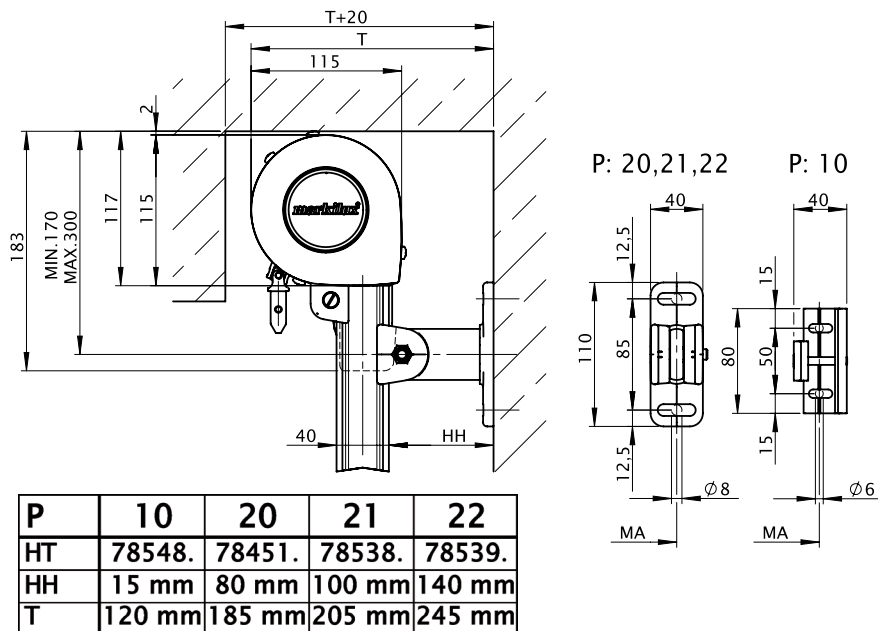
# How to fit the markilux 860

## Schematic diagram of the dimensions



dimensions in mm

## Face and reveal fixture

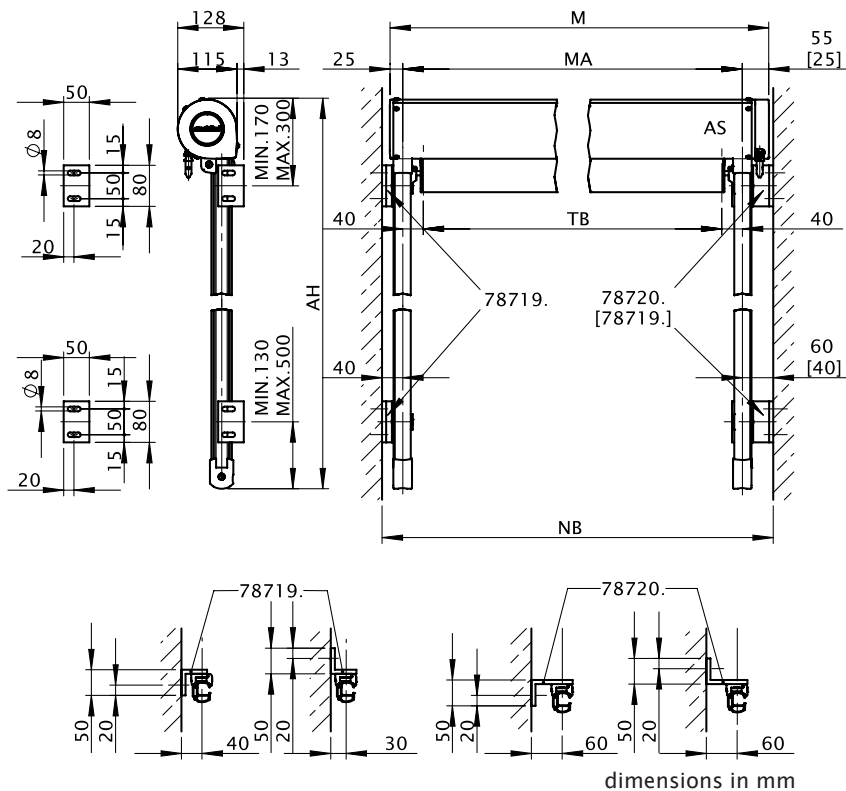


dimensions in mm

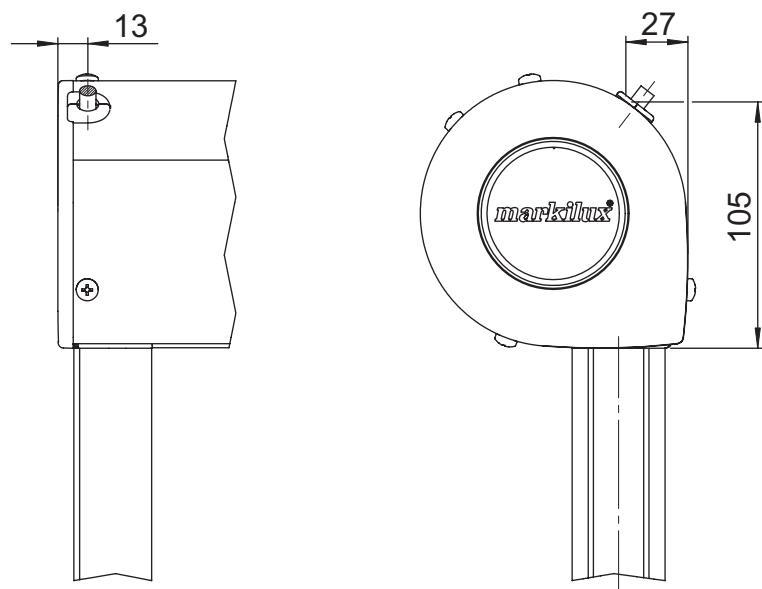
- AH = overall unit height
- H = extension
- T = Depth
- AU = exterior
- IN = interior
- HH = fixture bracket height
- M = overall awning width
- MA = awning width between fixture points = order width
- TB = cover width
- FH = Facade height
- [...] = dimensions in the case of motorised operation
- P = fixture combination
- HT = bracket
- FM = Facade width

## How to fit the markilux 860

Reveal fixture for gearbox and motor respectively (fixture method 15)



### Cable exit on motor-driven units



dimensions in mm

- AH = overall unit height
- M = overall awning width
- MA = awning width between fixture points = order width
- AS = operation side
- TB = cover width
- NB = reveal width
- [...] = dimensions in the case of motorised operation