



markilux 790

Ideal, protection from the side against low-lying sun, light wind and inquisitive glances - Perfect for large terraces



markilux 790

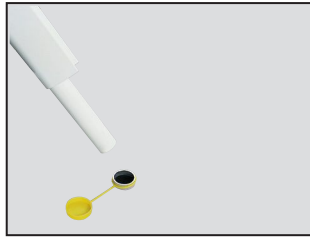
Ideal, protection from the side against low-lying sun, light wind and inquisitive glances - Perfect for large terraces

design features

- when retracted the cover is protected from the weather by the cassette, which encloses it completely.
- for long-lasting attractiveness the awning has been powder coated.
- Awning-covers made of acrylic or sunsilk SNC with self-cleaning effect
- One-piece covers made from widely woven, plain awning fabrics make it possible to do away with seams entirely.
- Round front profile with attractive ergonomically shaped handle
- Striped patterns will run vertically

technical highlights

- Simple operation - pull the front profile out by the handle
- Taut cover thanks to the internal, pre-tensioned spring
- Easy cassette fixture to the side or the rear
- Unlimited choice of fixture points
- Fixture of docking post optionally by insertion in an earth sleeve or by bolting the welded bottom plate to the patio



Sleeve for insertion in the ground



Plate for fixture to solid surface



Face fixture bracket



mobilfix+: fixture post mounted on a slab of granite with a shadeplus securing mechanism (optional)



mobilfix: fixture post mounted on a slab of granite



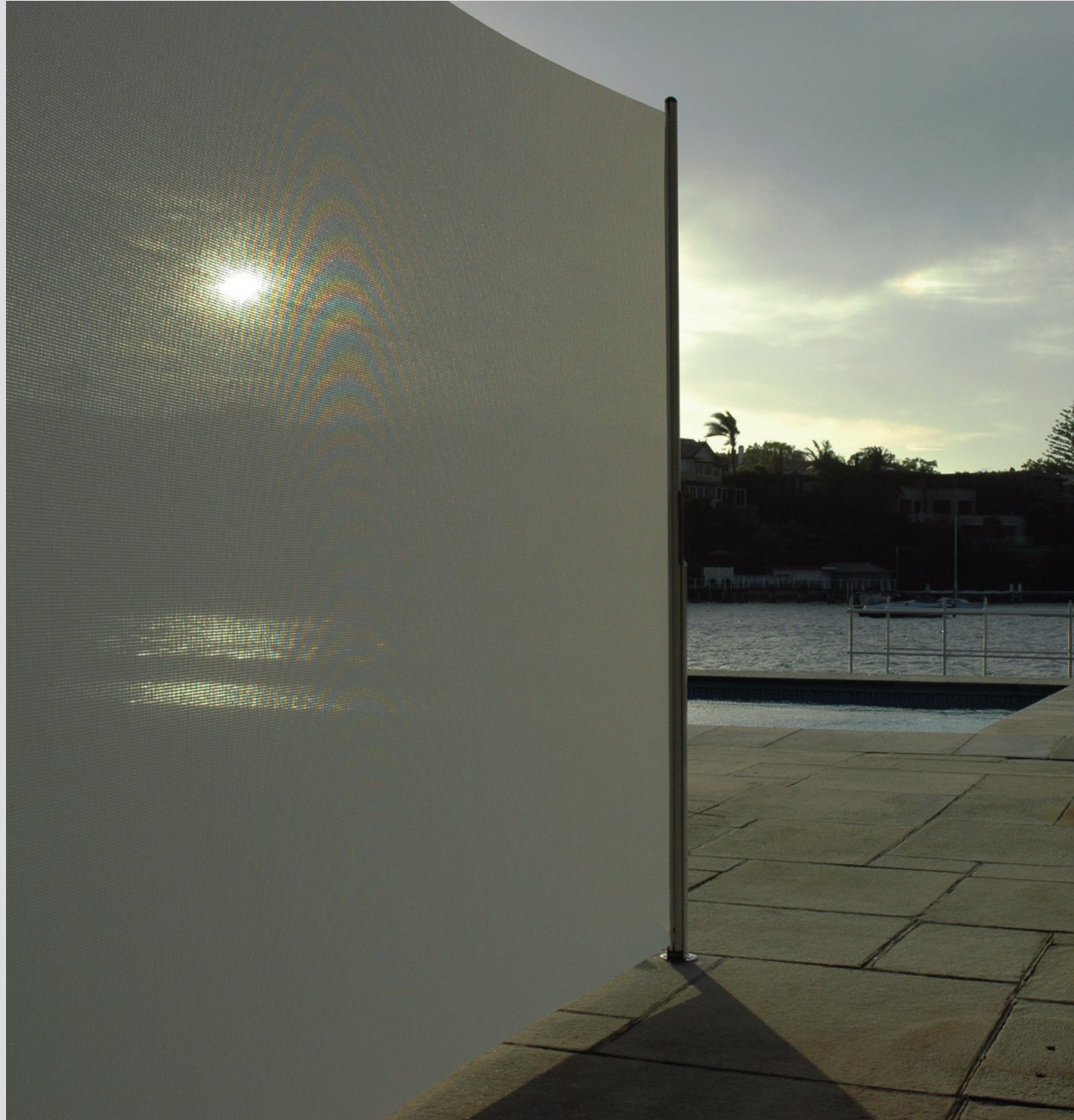
mobilfix+: fixture post mounted on a slab of granite with a shadeplus securing mechanism, shadeplus extended (optional)



Standard RAL colours:



safe · timeless · beautiful



markilux 790

Ideal, protection from the side against low-lying sun, light wind and inquisitive glances - Perfect for large terraces



dimensions and configuration options

markilux 790 dimension parameters			
extension	height		smallest height
	170	210	
200			90
201-250			90
251-300			110
301-350			125
351-400			125
401-450			130
451-500			130

dimensions in cm

= available, cover height approx. 159 cm

= available, cover height approx. 199 cm

Front profile fixture		
configuration options	Wall bracket for front profile fixture	●
	Fixture post assembly for fixture to solid surface	●
	Sleeve assembly for insertion in the ground	●
	mobilfix (fixture post mounted on a slab of granite)	○
	mobilfix + (fixture post mounted on a slab of granite with a shadeplus securing mechanism)	○
	covers	
	acrylic 34 (fabric series 341xx-347xx)	○ ¹
	sunsilk SNC (fabric series 324xx/329xx)	○ ¹
	transolair (fabric series 339xx)	○ ¹
	widely woven acrylic (fabric series 349xx)	●
signature (fabric series 369xx)	○ ¹	
Soltis 92	-	
transilk FR (fabric series 319xx)	-	
perla FR (fabric series 374xx/379xx)	-	

● = fitted as standard


○ = optional accessory

- = not available

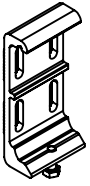
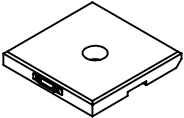
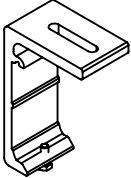
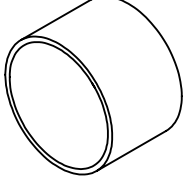

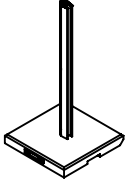

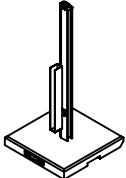


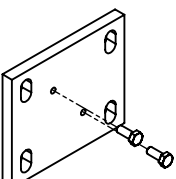
○¹ = PVC/Soltis 92 covers available up to a max. width of 600 cm and a max. arm length of 250 cm.

○² = wall sealing profile effective up to an awning pitch of 35°

Definition of extension: The extension is measured from the front of the cassette to the rear of the fixture post: The greater the extension the greater the force required to extend the screen resulting from the pre-tensioned spring in the roller tube.

frame colours		
	RAL 9016 traffic white	●
	RAL 8019 grey brown	●
	RAL 9006 metallic aluminium	●
	non-standard RAL colour	-

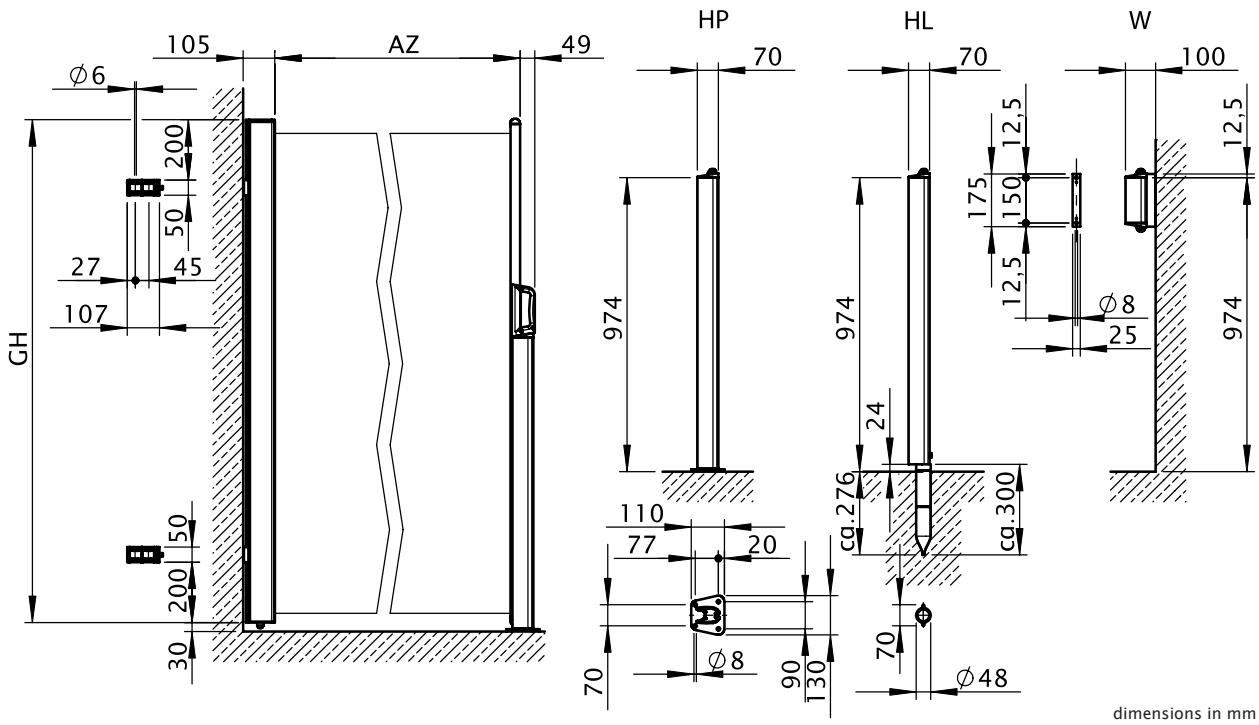
fixings and accessories

 <p>Universal bracket assembly</p> <p>50 mm</p> <p>78758.</p>	 <p>additional base to weigh it down</p> <p>779311</p>
 <p>Reveal fixture bracket assembly</p> <p>77845.</p>	 <p>Acrylic plexiglass tube for the additional base to weigh it down</p> <p>779321</p>
 <p>Face fixture bracket assembly</p> <p>77822.</p>	 <p>mobilfix</p> <p>77821., 778941</p>
 <p>foot plate assembly for fixture to a solid surface</p> <p>77820.</p>	 <p>mobilfix+</p> <p>77821., 778941, 77895.</p>
 <p>Sleeve assembly for insertion in the ground</p> <p>77821.</p>	
 <p>ground sleeve</p> <p>702730</p>	
 <p>Bracket assembly for cassette fixture</p> <p>100x120x10mm</p> <p>78982.</p>	

. = Please insert the RAL No.
(please refer to the section on "Coatings")

fixture dimensions

Table of dimension with bottom plate, bottom sleeve and wall bracket for fixture post



View of the fixture post including the plate for fixture to a solid surface

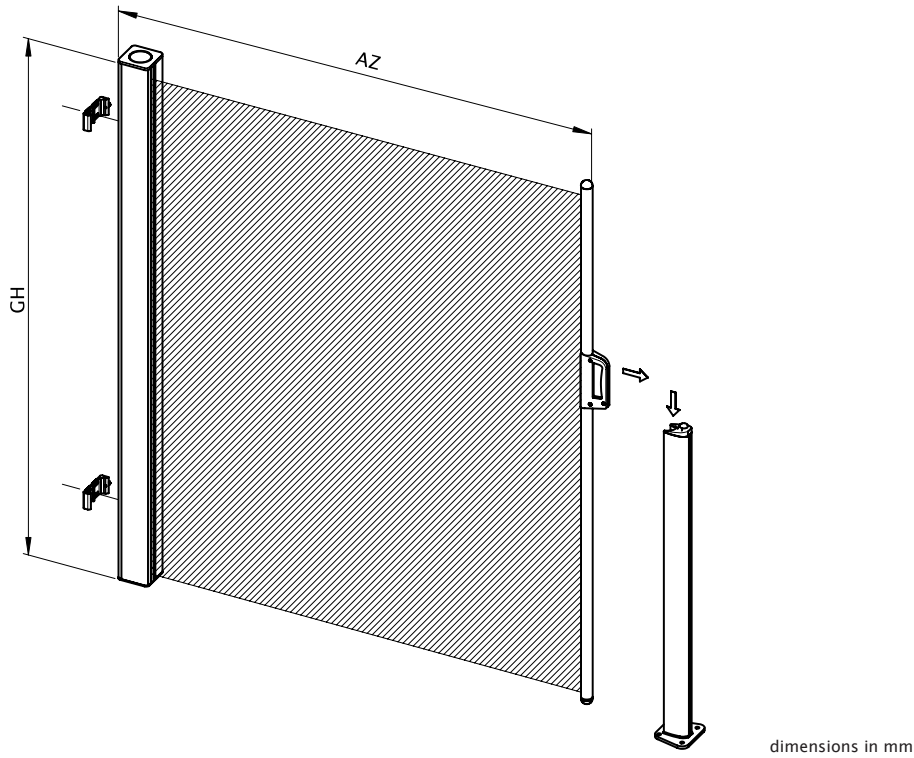


Plate for fixture to solid surface
 Sleeve for insertion in the ground
 W = face fixture
 AZ = extension
 GH = total height

fixture dimensions

Table of dimensions for plate for fixture to solid surface

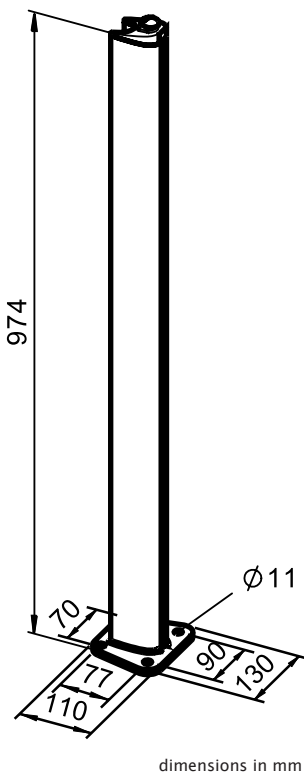
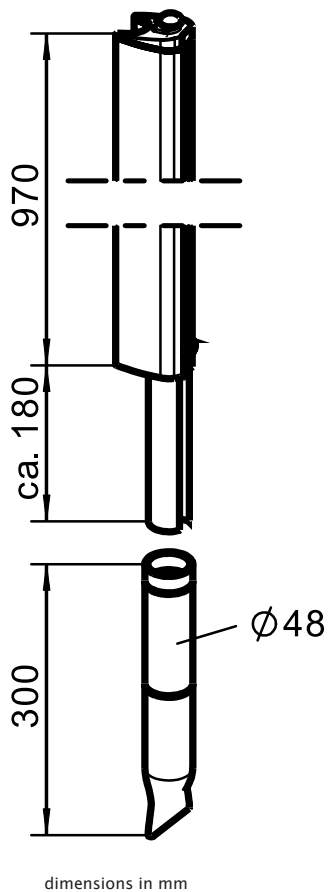
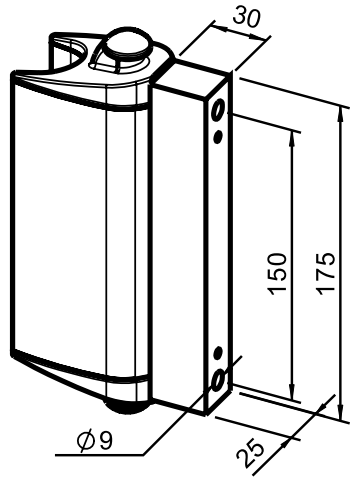


Table of dimensions for sleeve for insertion in the ground



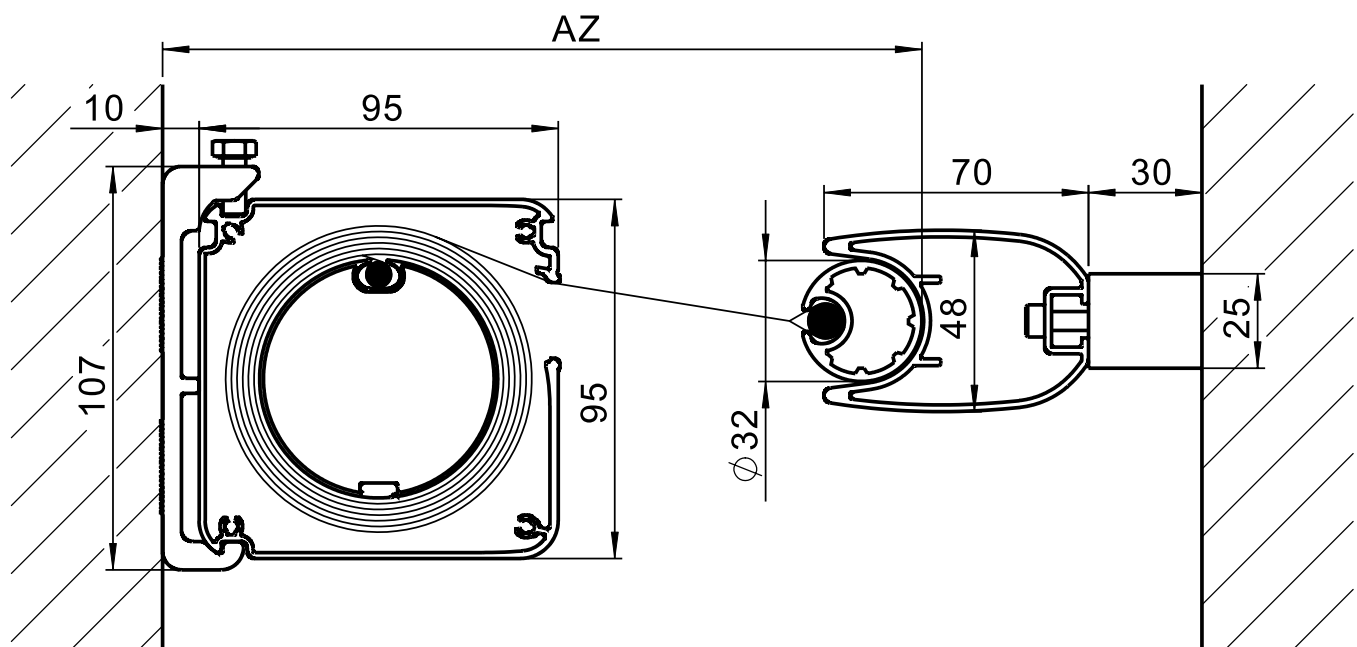
fixture dimensions

Table of dimensions for front profile wall bracket



dimensions in mm

sectional view with the fixture bracket

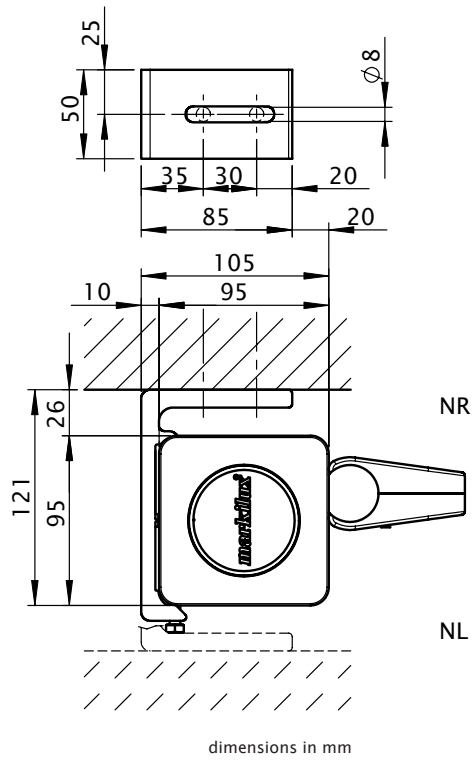


dimensions in mm

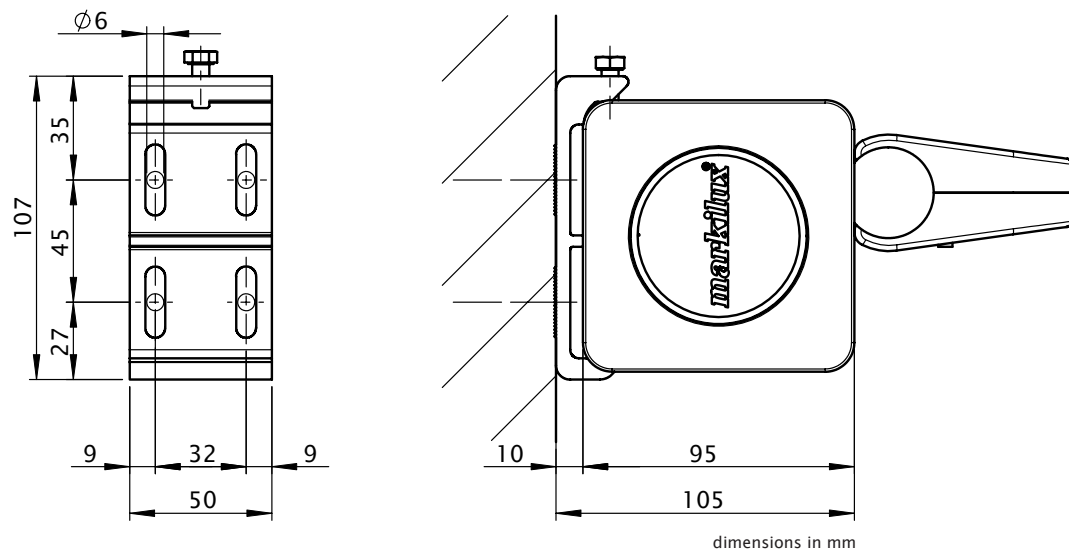
AZ = extension

fixture dimensions

reveal fixture bird's eye view



face fixture bird's eye view



NR = reveal fixture right
NL = reveal fixture left

fixture dimensions

Table of dimensions for the mobilfix + (with optional base to weigh it down)

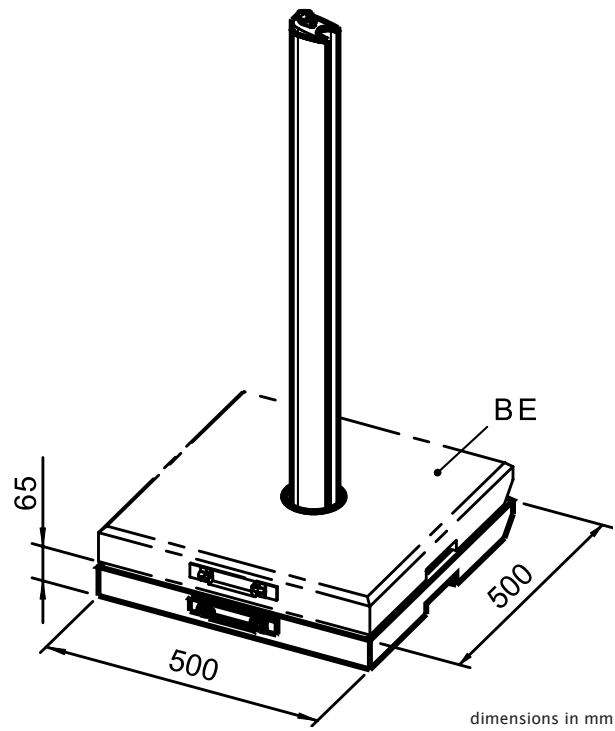
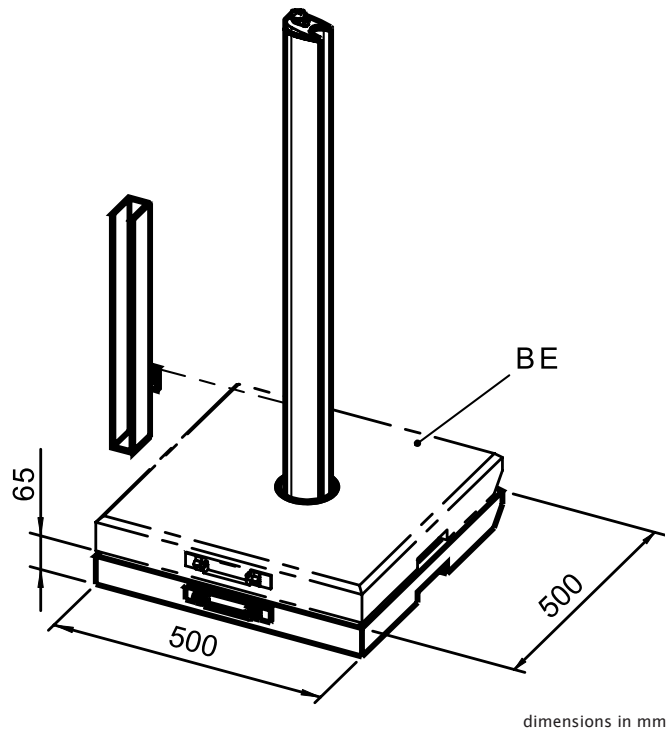


Table of dimensions for the mobilfix +



BE = base to weigh it down (optional)