

## *markilux 869*

Elegant and finely contoured - the vertical, tensioned blind that covers large widths and drops



# **markilux 869**

Elegant and finely contoured - the vertical, tensioned blind that covers large widths and drops

- design features**
- beautifully crafted, teardrop-shaped aluminium cassette only 130mm in height
  - the small, rounded profiles make it discreet and unobtrusive
  - when retracted the cover is protected from the weather by the cassette, which encloses it completely.
  - stand-off blind fixture. This embellishes the building further.
- technical highlights**
- special vario-belts ensure optimum cover tension when the awning is completely extended
  - the awning cover is guided by strong, aluminium guide tracks
  - the 85mm roller tube ensures the highest rigidity and the best possible cover winding characteristics even at the largest widths.
  - width and extension up to 600cm
  - the awning is completely pre-assembled and tested in the factory
    - brackets with clip-on mechanism for easy, problem-free fixture
    - individual, made-to-measure manufacture, so that the shading system fits your house perfectly.
- optional accessories**
- awning covers made of acrylic material or sunsilk snc with self-cleaning effect. The cover joints are ultrasonically bonded to give a neater appearance without unsightly stitching.
  - hard-wired motor drive (optionally with automatic controls) for simple, relaxed operation.
  - an easily installed, radio control sun and wind sensor guarantees comfort and a degree of safety.
  - radio-controlled motor with radio remote control for ease of use



Reveal fixture for round cassette



Side view with winding handle, manual operation



Fixture combination 10 with flat track brackets



Decorative cap assembly for track bracket (optional)

RAL colours:



optional accessories:



dimensions and configuration options

		fixture width / order width										
		350	375	400	425	450	475	500	525	550	575	600
		350	351 - 375	376 - 400	401 - 425	426 - 450	451 - 475	476 - 500	501 - 525	526 - 550	551 - 575	576 - 600
overall width		+5	+5	+5	+5	+5	+5	+5	+5	+5	+5	+5
unit height	150											
	200											
	250											49)
	300						49)	49)	49)	49)	49)	49)
	350			49)	49)	49)	49)	49)	49)	49)	49)	49)
	400	49)	49)	49)	49)	49)	49)	49)	49)	49)		
	450	49)	49)	49)	49)	49)	49)	49)				
	500 <sup>44)</sup>	49)	49)	49)	49)	49)						
	550 <sup>44)</sup>	49)	49)	49)								
	600 <sup>44)</sup>	49)										

44) Only possible in oversized acrylic fabric with a horizontal seam.

49) This size meets wind resistance class 2, all sizes that have not been highlighted in this way meet wind resistance class 3.

48) If a smaller blind is required we recommend the markilux 760 or 860.

- = available, 2 brackets per track
- = available, 3 brackets per track
- = available, 4 brackets per track

operation type	
manual operation with stainless steel winding handle	●
manual operation; handle with bayonet fitting	–
manual operation from inside the building	–
manual operation from the rear	–
motor	○
radio-controlled motor	○
covers	
acrylic 34 (fabric series 341xx-347xx)	○
sunsilk SNC (fabric series 324xx/329xx)	○
transolair (fabric series 339xx)	○ <sup>7)</sup>
oversized acrylic (fabric series 349xx)	●
signature (fabric series 369xx)	○
Soltis 92	○ <sup>8)</sup>
perfortex (fabric series 333xx)	○
transilk FR (fabric series 319xx)	○ <sup>18)</sup>
perla FR (fabric series 374xx/379xx)	○
miscellaneous	
sun and wind sensor	○
cover profiles for gap between tracks and cover	–
coupled units	
coupled unit 2 fields	–
coupled unit 3 fields	–

- = fitted as standard
- = optional accessory
- = not available
- <sup>8)</sup> = cover seamless; from a fixture width of 261 cm and a unit height of 251 cm with horizontal seam(s)
- <sup>8)</sup> = cover seamless; from a fixture width of 179 cm and a unit height of 171 cm with horizontal seam
- <sup>18)</sup> = transilk FR up to a width of 250cm

A standard gearbox is operated from outside the building using a stainless steel winding handle (handle lengths 110, 140, 160, 180 or 220cm).

You should assume 18 handle revolutions per metre in the case of manual operation.

Extension of units with a single motor takes approximately 14 seconds per metre.

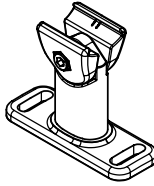
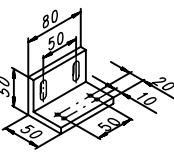
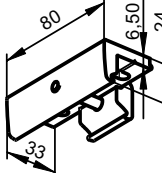
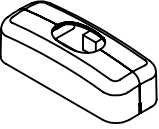

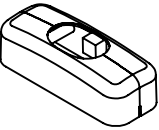
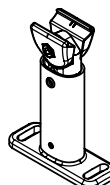
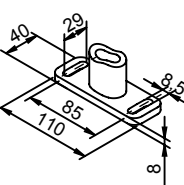
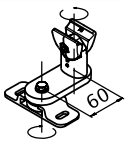
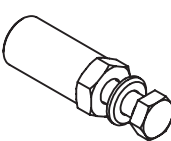
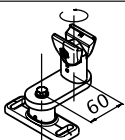
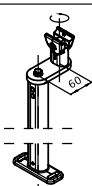
**N.B!** If the motor is used continuously it will stop automatically after 3 to 4 minutes to prevent overheating.

In the case of a bank of awnings operating simultaneously, the same speed of rotation of the motors cannot be guaranteed because of the tolerances within the motors themselves.

Because of the inherent weight of the cover it may sag from a fixture width of 450cm. Similarly all profiles may deflect slightly for the same reason. Neither phenomenon has any negative effect on the functioning or operation of the awning if it has been fitted correctly.

frame colours		
	RAL 9016 traffic white	●
	RAL 8019 grey brown	●
	RAL 9006 metallic aluminium	●
	non-standard RAL colour	○

fixings and accessories

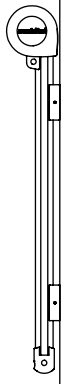
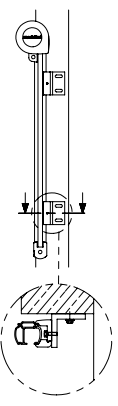
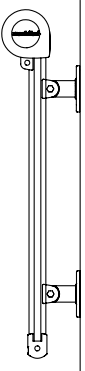
 <p>78451.</p>	<p>track bracket with swivel top</p> <p>80 mm</p>	 <p>78719.</p>	<p>angled bracket for bearing or motor side, fixture method 15 (in the case of the markilux 869 and 889 also for gearbox operation) (fixture between beams, walls etc.)</p> <p>50x50x80 mm</p>
 <p>78548.</p>	<p>flat track bracket</p>	 <p>76603.</p>	<p>decorative cap assembly for track bracket</p> <p>in the case of: 78451., 78538., 78543.</p>
 <p>78538.</p>	<p>track bracket with swivel top</p> <p>100 mm</p>	 <p>76604.</p>	<p>decorative cap assembly for track bracket</p> <p>in the case of: 78539., 78540., 78545., 78658.</p>
 <p>78539.</p>	<p>track bracket with swivel top</p> <p>140 mm</p>		<p>fixture dimensions of swivel top track brackets</p>
 <p>78542.</p>	<p>universal track bracket</p> <p>80 mm</p>	 <p>753211</p>	<p>reducing bolt assembly M 10 - M 6 / SW 13</p> <p>30mm length</p> <p>(e.g. in the case of external insulation, instructions for use v. the chapter "Technical Information")</p>
 <p>78543.</p>	<p>universal track bracket</p> <p>100 mm</p>		
 <p>78545.</p>	<p>universal track bracket</p> <p>140 - 500 mm</p>		

. = insert RAL colour code no.

# markilux 869

## fixture combinations

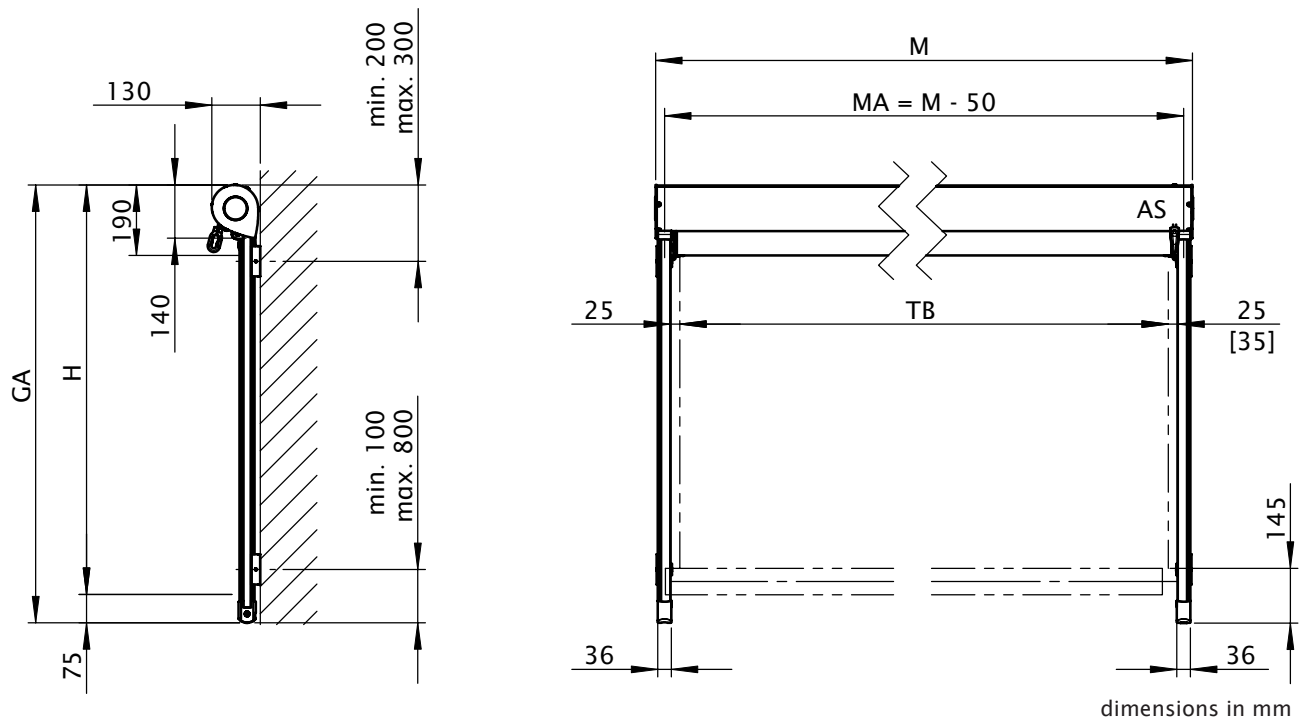
all brackets incur a surcharge.

10		
15		<ul style="list-style-type: none"><li>• from an extension of 3001 mm 3 brackets per track</li><li>• from an extension of 5001 mm 4 brackets per track</li></ul>
20		

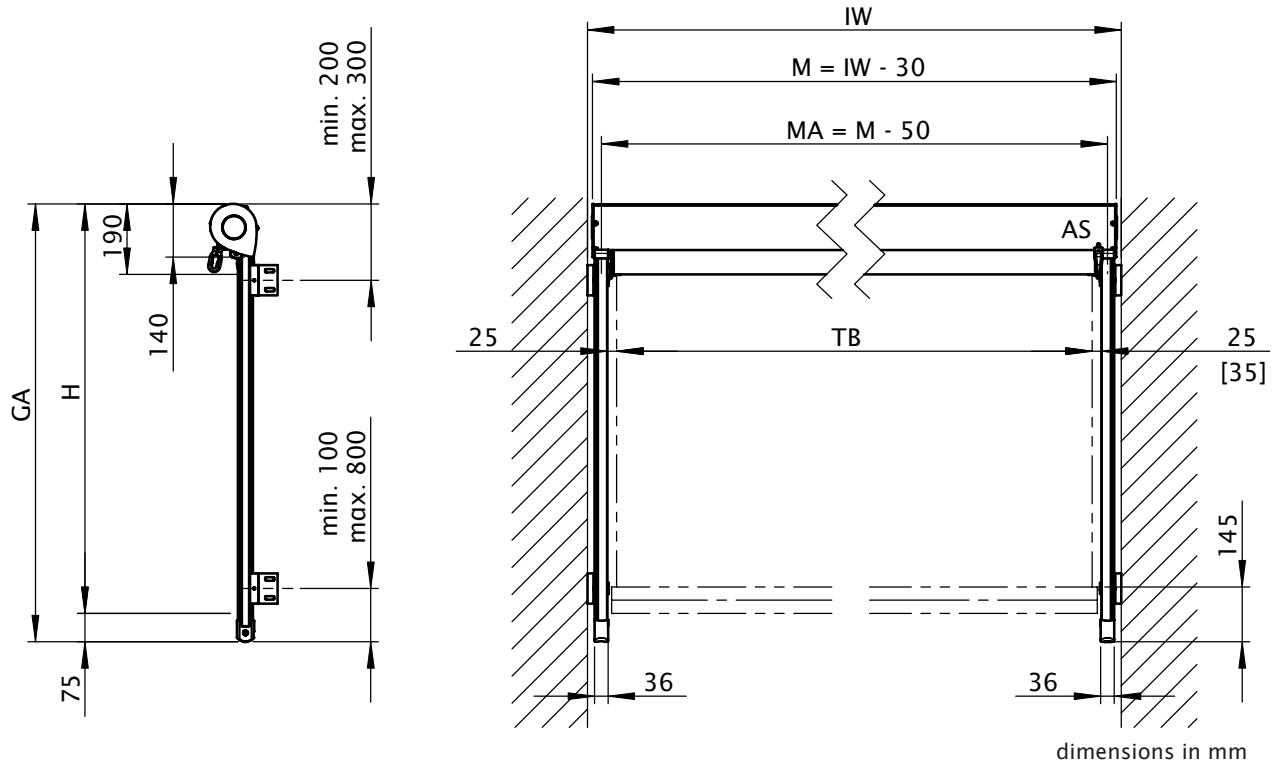
markilux 869

# How to fit the markilux 869

Schematic diagram of fixture combination 10



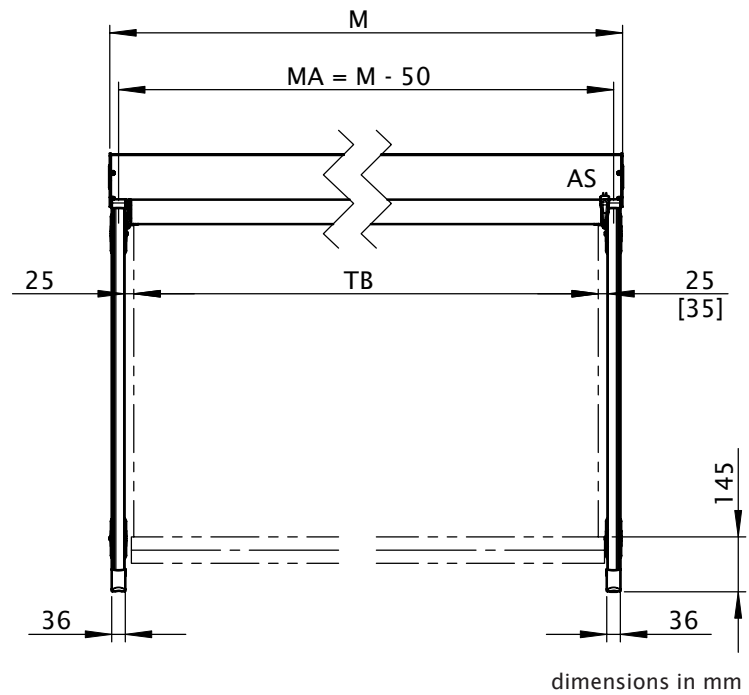
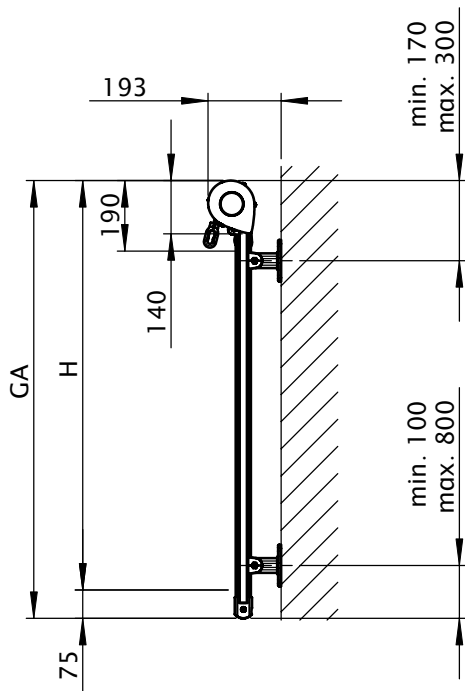
Schematic diagram of fixture combination 15



- AS = operation side
- M = overall awning width
- MA = awning fixture width = order width
- H = extension
- TB = cover width
- GA = overall extension
- IW = reveal width
- [ ] = dimensions in the case of manual operation

## How to fit the markilux 869

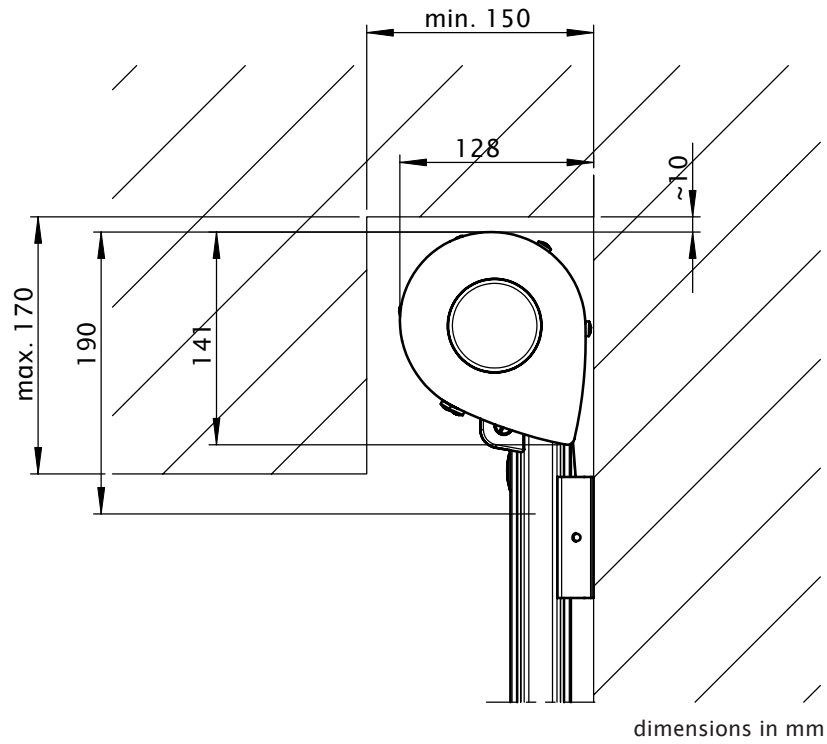
Schematic diagram of fixture combination 20



AS = operation side  
 M = overall awning width  
 MA = awning fixture width = order width  
 GA = overall extension  
 H = extension  
 [ ] = dimensions in the case of manual operation

## How to fit the markilux 869

Reveal fixture, motor operation



Reveal fixture, manual operation

