

safe · timeless · beautiful



markilux ES-1

Aesthetics in perfect harmony



red dot design award
winner 2006



markilux ES-1

Aesthetics in perfect harmony

- design features**
- The aesthetics of a classic! The masterpiece amongst markilux awnings! Worldwide the only awning made completely from brushed, marine grade stainless steel in a silky matt finish
 - The harmony of design, material and function.
 - when retracted the cover is protected from the weather by the cassette, which encloses it completely.
 - End caps made of brass or copper increase the uniqueness of this awning.
 - Attractive brackets; Design down to the last detail.

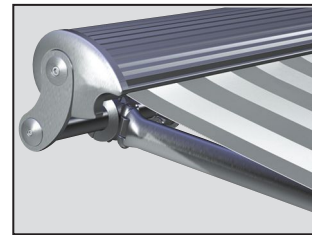
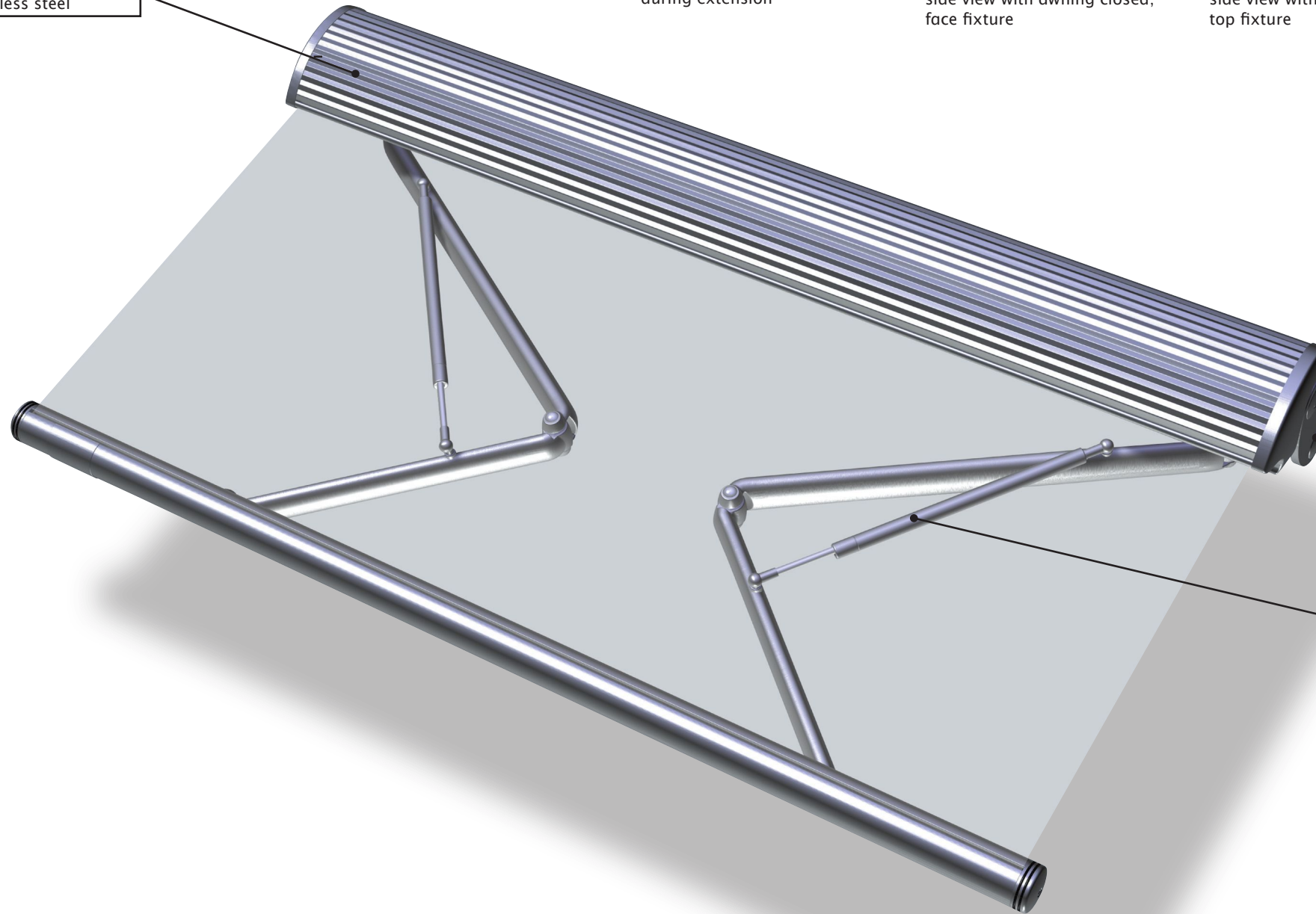
- technical highlights**
- Attractive ovoid folding arms with unique gas piston technology ensure a taut cover in every position whether partially or fully extended.
 - Motor with integrated radio receiver and ergonomically crafted markilux hand held remote control as standard.
 - Front profile, torque bar (50 mm Ø) and roller tube (95 mm Ø) are extremely resistant to deflection and twist.
 - All screws and bolts are made of stainless steel.
 - The joint components of the folding arms are made of highly tensile, drop-forged stainless steel. The pivot bolt sits in Teflon-coated bushes.

- optional accessories**
- An easily connected sun and wind sensor provides intelligent control and necessary protection.

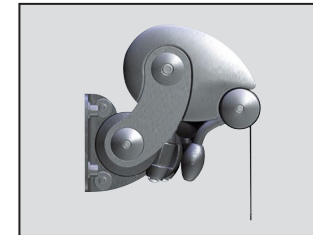
- Awning covers made of acrylic fabric or sunsilk snc with self-cleaning effect
- The panel joints of the awning cover are ultrasonically bonded - this gives an improved appearance without bothersome stitching
- Easy pitch adjustment via the bracket - no need to adjust the height of the front profile
- High lateral stability of the awning because the upper arm section is longer than the lower
- The 95 mm roller tube guarantees maximum rigidity and the best possible cover winding characteristics even at the largest widths

folding-arm cassette awning markilux ES-1

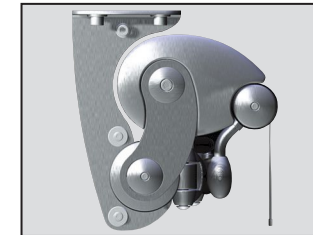
cover cassette made of stainless steel



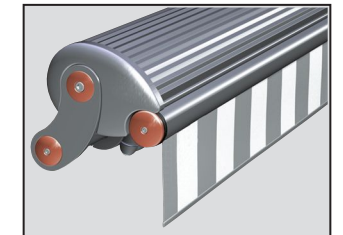
during extension



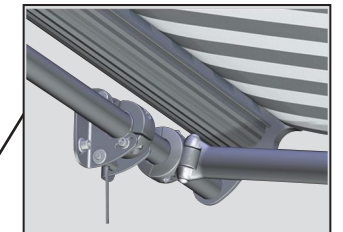
side view with awning closed, face fixture



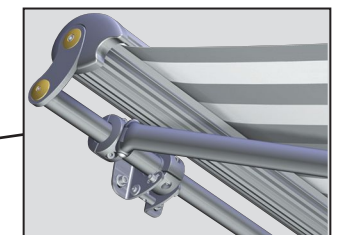
side view with awning closed, top fixture



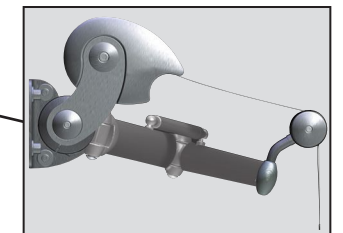
optional bronze decorative elements



simple pitch adjustment

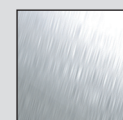


arm fixture to the torque bar



folding arm with gas piston

Standard RAL colours:



standard:



optional accessories:



safe · timeless · beautiful





***markilux* ES-1**
Aesthetics in perfect harmony



dimensions and configuration options

extension	Overall awning width									minimum width motor ¹⁰⁾
	250 236-250	300 251-300	350 301-350	400 351-400	450 401-450	500 ⁵⁰⁾ 451-500	550 501-550	600 551-600	650 601-650	
200	28)									236
250		28)								286
300			28)							336
350				28)						386

dimensions in cm

-  = available, 2 folding arms, 2 brackets
-  = available, 2 folding arms, 2 brackets, 1 rolltex bearing with bracket (always placed under the central seam)

10) the dimensions are only valid for fixture without spreader plates (2 folding arms).

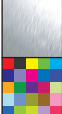

28) Please note the minimum widths!

50) In the case of face and top fixture, 2 brackets + 1 coverboard support with bracket. In the case of eaves fixture, 3 eaves fixture brackets.

operation type	
manual operation with st. steel winding handle	–
Servo-assisted operation	–
radio-controlled motor	●
motor	○
Shadeplus	
manual operation	–
radio-controlled motor	–
motor	–
Lighting	
Halogen Spotlights	–
Fluorescent lighting	–
covers	
acrylic 34 (fabric series 341xx-347xx)	●
sunsilk SNC (fabric series 324xx/329xx)	●
signature (fabric series 369xx)	●
transilk FR (fabric series 319xx)	–
transolair (fabric series 339xx)	–
widely woven acrylic (fabric series 349xx)	○ ¹
perla FR (fabric series 374xx/379xx)	○
Soltis 92	–
PVC fabric	○ ²
miscellaneous	
Coverboard	–
Sytem coverboard	–
wall sealing profile	–
Pitch adjustment gear	–
Insertable side blind	–
sun and wind sensor	○
Valance	● ¹
Infrared heater	○
Vibrabox / Sunis sun sensor	○
Coupled units (please refer to fixture)	
coupled unit 2 fields	–
coupled unit 3 fields	–
junction roller	–
one-piece cover (on request)	–

configuration options

Definition of extension: The nominal extension is measured with the awning extended at a pitch of approx. 15° from the wall over the cover to the leading edge of the front profile. The extension tolerance is -40 mm / +40 mm
 Extension when using a motor takes approximately 12 seconds per metre.
 Coupled folding-arm awnings are not available.

frame colours		
	V4A brushed finish stainless steel	●
	non-standard RAL colour	–

● = fitted as standard

○ = optional accessory

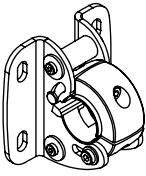
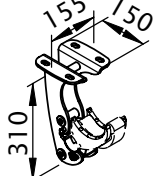
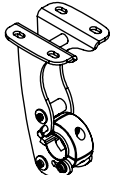
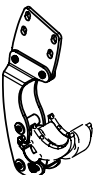

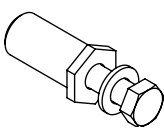
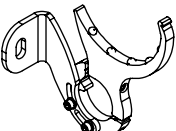
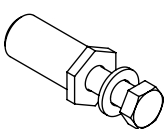
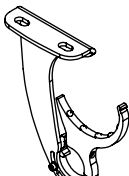
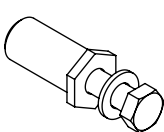
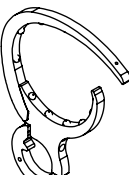
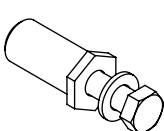
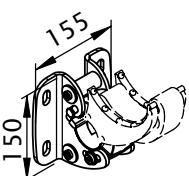
– = not available

○² = PVC/Soltis 92 covers available up to a max. width of 600 cm and a max. extension of 250 cm.

○¹ = widely woven fabric up to a max. arm length of 300 cm; not possible in those dimensions that require a rolltex bearing

●² = valance shape 1 (please refer to the section "Fabric Collection")

fixings and accessories

 <p>744341</p>	<p>Face fixture bracket assembly Face fixture bracket assembly</p>	 <p>746771</p>	<p>Top fixture bracket assembly for rolltex bearing</p>
 <p>745791</p>	<p>Top fixture bracket assembly Top fixture bracket assembly</p>	 <p>746781</p>	<p>Eaves fixture bracket assembly for rolltex bearing</p>
 <p>745851</p>	<p>eaves timber bracket assembly</p>	 <p>753891</p>	<p>reducing bolt assembly M 16 - M 12 / SW 27 50mm length</p> <p>(please refer to "Technical Information")</p>
 <p>746331</p>	<p>coverboard support assembly with wall bracket</p>	 <p>754901</p>	<p>reducing bolt assembly M 10 - M 10 / SW 27 50mm length</p> <p>(please refer to "Technical Information")</p>
 <p>746341</p>	<p>coverboard support assembly with top fixture bracket</p>	 <p>754911</p>	<p>reducing bolt assembly M 12 - M 10 / SW 27 50mm length</p> <p>(please refer to "Technical Information")</p>
 <p>725461</p>	<p>Storm protection clip</p>	 <p>754921</p>	<p>reducing bolt assembly M 16 - M 10 / SW 27 50mm length</p> <p>(please refer to "Technical Information")</p>
 <p>746761</p>	<p>Face fixture bracket assembly for rolltex bearing</p>		

. = Please insert the RAL No.
(please refer to the section on "Coatings")

Face fixture

Pull-out forces, fixture types and the no. of fixture points

Concrete (B25)

H [cm]	M [cm]																	
	250		300		350		400		450		500		550		600		650	
	P	FB [N]	P	FB [N]	P	FB [N]	P	FB [N]	P	FB [N]	P	FB [N]	P	FB [N]	P	FB [N]	P	FB [N]
200 cm	A	1085	A	1220	A	1355	A	1490	A	1625	A	1765	A	1900	A	2035	A	2170
250 cm	---		A	1730	A	1925	A	2115	A	2310	A	2505	A	2700	A	2895	A	3440
300 cm	---		---		A	2560	A	2825	A	3085	A	3350	A	4035	A	4335	A	4640
350 cm	---		---		---		A	3670	A	4010	A	4875	A	5265	A	5660	---	

Clay brick (MZ12)/ lime sand brick (KS12)

H [cm]	M [cm]																	
	250		300		350		400		450		500		550		600		650	
	P	FB [N]	P	FB [N]	P	FB [N]	P	FB [N]	P	FB [N]	P	FB [N]	P	FB [N]	P	FB [N]	P	FB [N]
200 cm	A	1085	A	1220	B	675	B	745	B	815	B	880	B	950	B	1015	B	1085
250 cm	---		B	865	B	960	B	1060	B	1155	C	865	C	930	C	1000	C	1185
300 cm	---		---		C	885	C	975	C	1065	C	1155	D	1155	D	845	D	905
350 cm	---		---		---		D	715	D	780	D	950	D	950	D	1105	---	

Perforated brick (Hlz12) / perforated sandlime brick (KSL12)

H [cm]	M [cm]																	
	250		300		350		400		450		500		550		600		650	
	P	FB [N]	P	FB [N]	P	FB [N]	P	FB [N]	P	FB [N]	P	FB [N]	P	FB [N]	P	FB [N]	P	FB [N]
200 cm	B	540	B	610	B	675	B	745	B	815	B	880	B	950	C	700	C	750
250 cm	---		B	865	B	960	C	730	C	795	C	865	C	930	C	1000	D	670
300 cm	---		---		C	885	C	975	D	600	D	655	D	785	D	845	D	905
350 cm	---		---		---		D	715	D	780	D	950	D	1000	---	1100	---	

Aerated concrete (PB2)

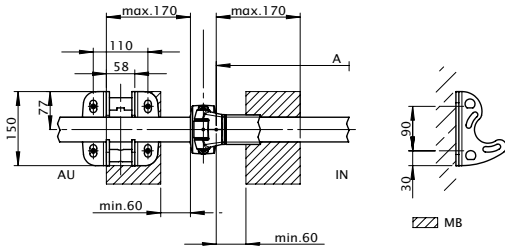
H [cm]	M [cm]																	
	250		300		350		400		450		500		550		600		650	
	P	FB [N]	P	FB [N]	P	FB [N]	P	FB [N]	P	FB [N]	P	FB [N]	P	FB [N]	P	FB [N]	P	FB [N]
200 cm	A	1085	A	1220	B	675	B	745	B	815	B	880	B	950	B	1015	B	1085
250 cm	---		B	865	B	960	B	1060	B	1155	B	1255	E	930	E	1000	E	1085
300 cm	---		---		B	1280	E	975	E	1065	E	1155	F	985	F	1060	F	1130
350 cm	---		---		---		E	1265	F	980	F	1190	F	1285	---	1380	---	

M = overall awning width
H = extension
P = fixture combination
FB = pull-out force per fixing point

Face fixture

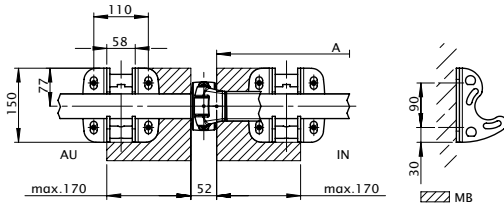
Pull-out forces, fixture types and the no. of fixture points

Fixture type A



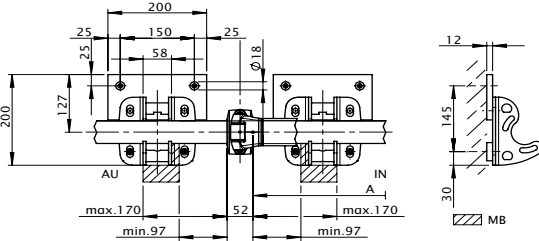
P (A)									
BM									
H [cm]	M [cm]								
	250	300	350	400	450	500	550	600	650
200	8	8	8	8	8	9	12	12	12
250	---	8	8	8	8	9	12	12	12
300	---	---	8	8	8	9	12	12	12
350	---	---	---	8	8	9	12	12	---

Fixture type B



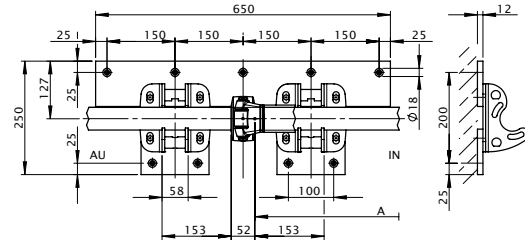
P (B)									
BM									
H [cm]	M [cm]								
	250	300	350	400	450	500	550	600	650
200	1 6	1 6	1 6	1 6	1 6	1 7	2 0	2 0	2 0
250	---	1 6	1 6	1 6	1 6	1 7	2 0	2 0	2 0
300	---	---	1 6	1 6	1 6	1 7	2 0	2 0	2 0
350	---	---	---	1 6	1 6	1 7	2 0	2 0	---

Fixture type C



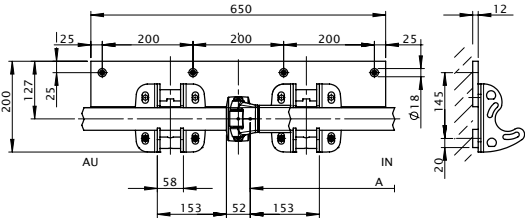
P (C)									
BM									
H [cm]	M [cm]								
	250	300	350	400	450	500	550	600	650
200	1 6	1 6	1 6	1 6	1 6	1 7	2 0	2 0	2 0
250	---	1 6	1 6	1 6	1 6	1 7	2 0	2 0	2 0
300	---	---	1 6	1 6	1 6	1 7	2 0	2 0	2 0
350	---	---	---	1 6	1 6	1 7	2 0	2 0	---

Fixture type D



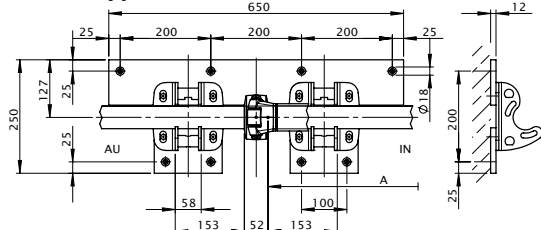
P (D)									
BM									
H [cm]	M [cm]								
	250	300	350	400	450	500	550	600	650
200	1 8	1 8	1 8	1 8	1 8	1 9	2 2	2 2	2 2
250	---	1 8	1 8	1 8	1 8	1 9	2 2	2 2	2 2
300	---	---	1 8	1 8	1 8	1 9	2 2	2 2	2 2
350	---	---	---	1 8	1 8	1 9	2 2	2 2	---

Fixture type E



P (E)									
BM									
H [cm]	M [cm]								
	250	300	350	400	450	500	550	600	650
200	1 6	1 6	1 6	1 6	1 6	1 7	2 0	2 0	2 0
250	---	1 6	1 6	1 6	1 6	1 7	2 0	2 0	2 0
300	---	---	1 6	1 6	1 6	1 7	2 0	2 0	2 0
350	---	---	---	1 6	1 6	1 7	2 0	2 0	---

Fixture type F



P (F)									
BM									
H [cm]	M [cm]								
	250	300	350	400	450	500	550	600	650
200	1 6	1 6	1 6	1 6	1 6	1 7	2 0	2 0	2 0
250	---	1 6	1 6	1 6	1 6	1 7	2 0	2 0	2 0
300	---	---	1 6	1 6	1 6	1 7	2 0	2 0	2 0
350	---	---	---	1 6	1 6	1 7	2 0	2 0	---

dimensions in mm

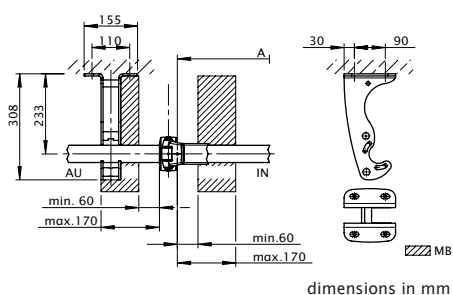
- P = fixture combination
- BM = no. of fixing points
- H = extension
- M = overall awning width
- AU = exterior
- IN = interior
- MB = bracket range
- A = arm position

Top fixture

Pull-out forces, fixture types and the no. of fixture points

H [cm]	M [cm]																	
	250		300		350		400		450		500		550		600		650	
	P	FB [N]	P	FB [N]	P	FB [N]	P	FB [N]	P	FB [N]	P	FB [N]	P	FB [N]	P	FB [N]	P	FB [N]
200 cm	A	1145	A	1295	A	1440	A	1590	A	1740	A	1890	A	2035	A	2185	A	2335
250 cm	---		A	1805	A	2010	A	2215	A	2425	A	2630	A	2840	A	3045	A	3600
300 cm	---		---		A	2650	A	2925	A	3200	A	3475	A	4170	A	4485	A	4800
350 cm	---		---		---		A	3770	A	4120	A	5000	A	5405	A	5810	---	

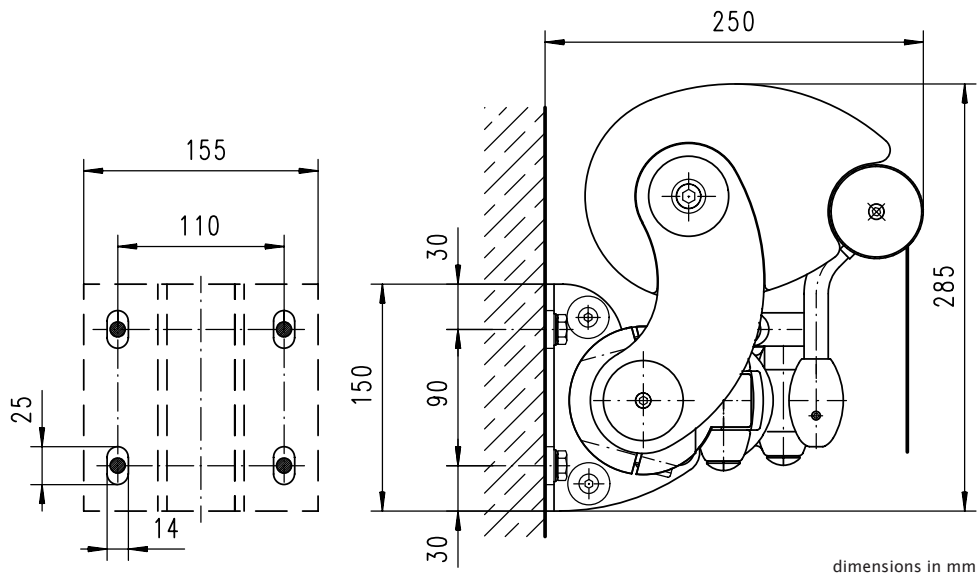
Fixture type A



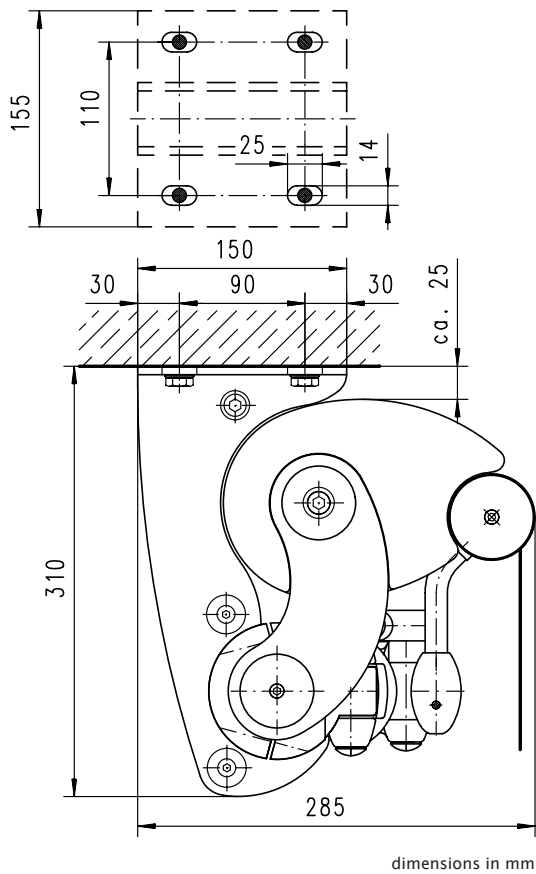
P (A)										
BM										
H [cm]	M [cm]									
	250	300	350	400	450	500	550	600	650	
200	8	8	8	8	8	10	12	12	12	
250	---	8	8	8	8	10	12	12	12	
300	---	---	8	8	8	10	12	12	12	
350	---	---	---	8	8	10	12	12	---	

M = overall awning width
 H = extension
 P = fixture combination
 FB = pull-out force per fixing point
 BM = no. of fixing points
 AU = exterior
 IN = interior
 MB = bracket range
 A = arm position

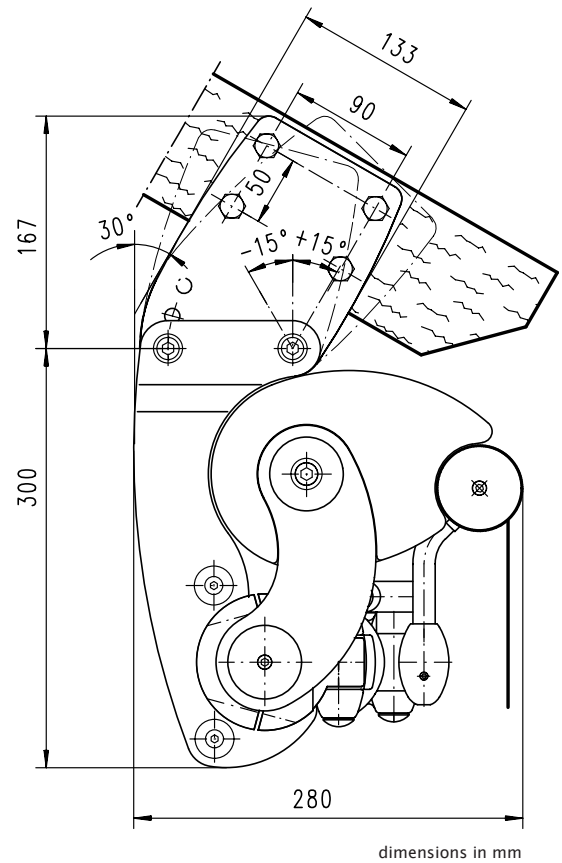
Face fixture



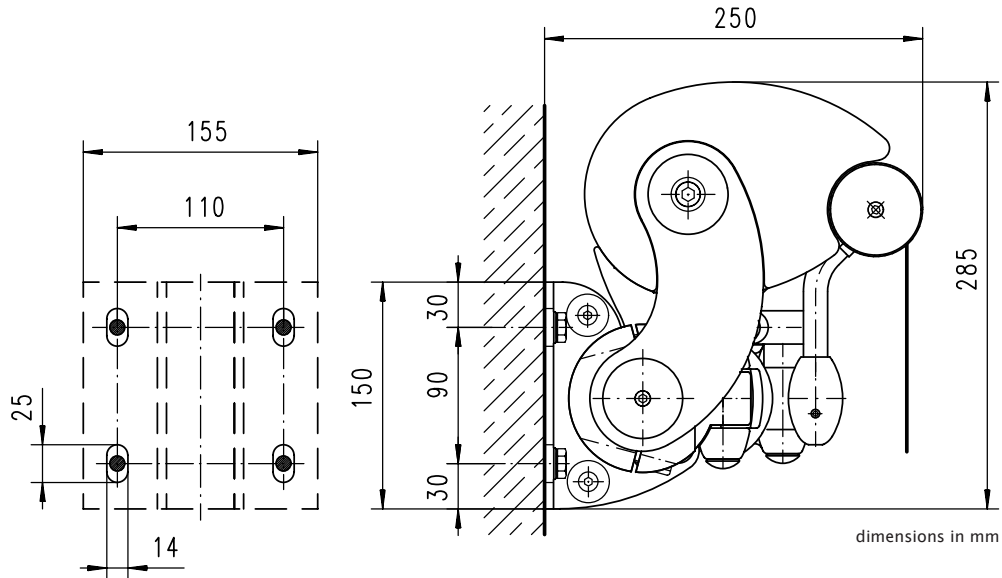
Top fixture



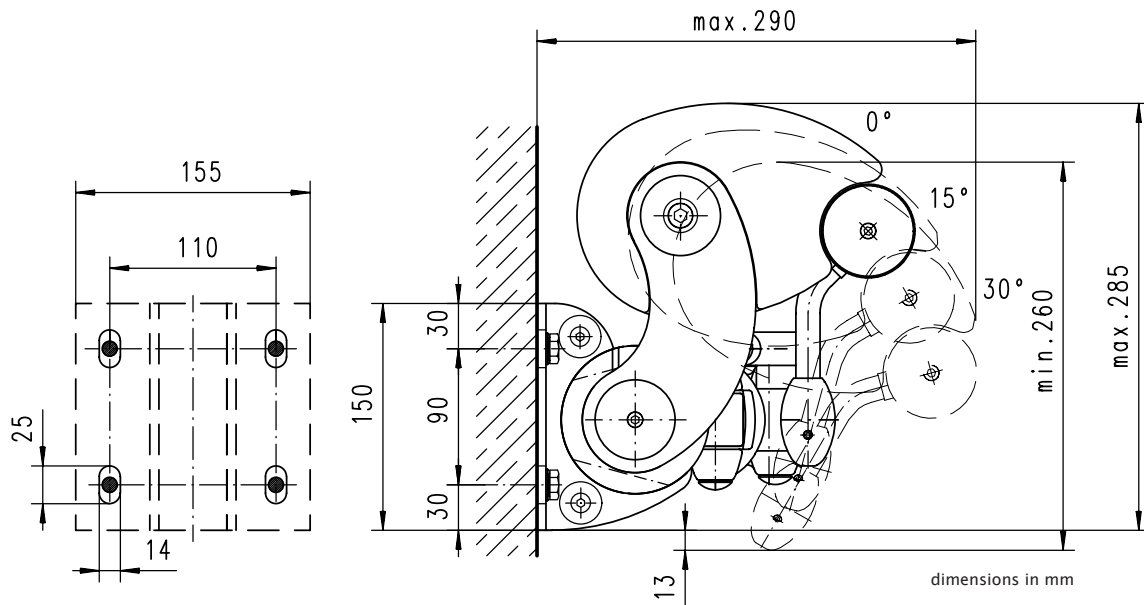
Eaves/Roof timber fixture



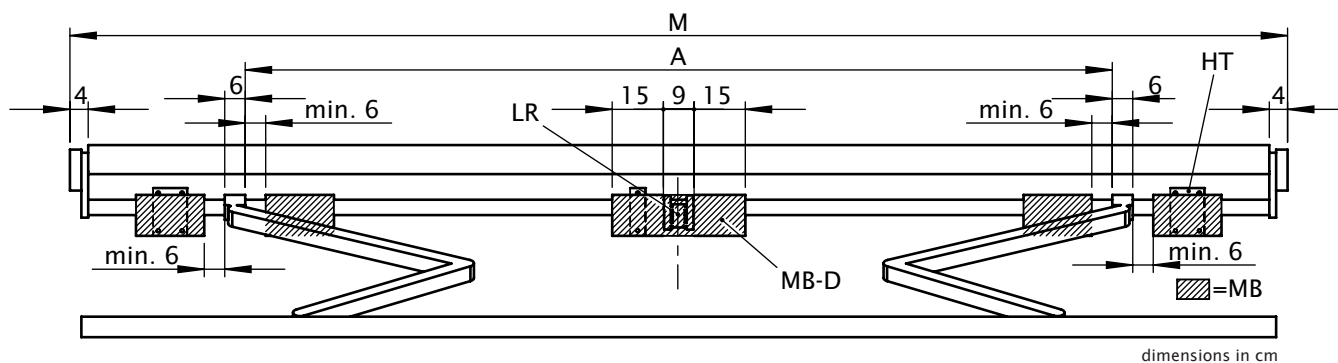
Face fixture with coverboard clip



dimensions at different pitches



Bracket range for awnings with 2 folding arms



M [cm]	SB ZB	250 236-250	300 251-300	350 301-350	400 351-400	450 401-450	500 451-500	550 501-550	600 551-600	650 601-650
		A [cm]								
H [cm]	200	214 ▲	229	262	292	332	372	407	442	472
	250	---	264 ▲	279	292	332	372	407	442	472
	300	---	---	314 ▲	329	332	372	407	442	472
	350	---	---	---	364 ▲	379	387	407	442	---
W	HT BHT	155 mm	2				2	3		
		+ DS	---				1	---		
DE	HT BHT	155 mm	2				2	3		
		+ DS	---				1	---		
DA	HT	2				3	3			

dimensions in cm

▲ = Note the minimum widths! In the case of small awnings the brackets can only be fitted inside the arms denoted by measurement A.

- M = overall awning width
- A = arm position
- HT = bracket
- MB = bracket range
- SB = standard width
- ZB = intermediate width
- H = extension
- W = face fixture
- HT | BHT = bracket quantity | width
- DA = Eaves/roof timber fixture
- DE = top fixture
- DS = Coverboard clip with bracket
- MB-D = Range in which the coverboard support clip should be fitted (depends on the width)
- LR = Rolltex bearing with bracket is always situated under the central seam (depends on the width)

If the brackets cannot be positioned in accordance with this table, make sure the actual measurements are noted on the order form!