



sun and wind sensor

The Intelligent Automatic Weather Control System

Sun and wind sensors are particularly practical, if you wish to protect indoor furnishings from fading or to prevent the interior of the house heating up excessively.

Should the weather change the automatic sensors will make sure that the blind or awning behaves suitably. Your markilux will extend automatically as soon as the sun appears or retreat into its cassette - of its own accord - if the wind picks up significantly.

Hand-held radio remote control

"Getting to grips with markilux" is now possible in the form of two new radio remote controls using 433 MHz technology in a 1 and 4 channel version.

Their attractive shape and ergonomic design characterise these elegant and easily operated hand-held remote controls.



Stainless Steel Winding Handle

Get to grips with real markilux quality

The markilux stainless steel winding handle, which is supplied with those awnings that have a gearbox, marries timeless elegance with quality that you can see and touch.

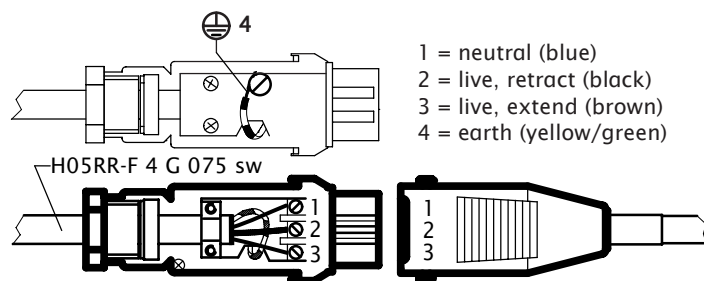
The low-noise bearings and the ergonomically shaped grips make it impossible not to notice the quality when operating the awning.



Motor for Vertical Blinds and Awnings

Hard-wired Motor Drives

markilux Vertical Blinds and Awnings														Motor data								
710	810	720	820	725	825	750	850	760	860	869	730	830	791	891	740	840	745	845	893	Operation side	Order no.	Rated power Current (50 Hz, 230 V)
											• •• ••	• ••	• ¹	• ¹	••	••	••	••		R	706681	P = 170 W I = 0.80 A
											• •• ••	• ••	• ¹	• ¹	••	••	••	••		L	706691	P = 170 W I = 0.80 A
••	••	••	••	••	••	••	••				•	•	•	•	•	•	•	•		R	706781	P = 140 W I = 0.65 A
••	••	••	••	••	••	••	••				•	•	•	•	•	•	•	•		L	706771	P = 140 W I = 0.65 A
•	•	•	•	•	•	•	•													R	707081	P = 90 W I = 0.45 A
•	•	•	•	•	•	•	•													L	707091	P = 90 W I = 0.45 A
								•	•											R/L	785631	P = 190 W I = 0.85 A
								••	••	•										R/L	785641	P = 135 W I = 0,74 A
																			•	R/L	797911	P = 240 W I = 1.10 A

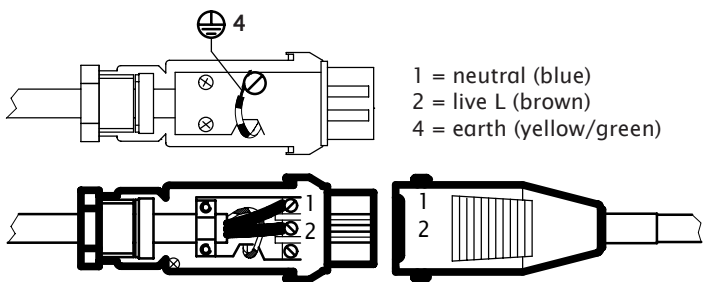


Wiring diagram for Hirschmann connector for hard-wired motor

- single unit
- Coupled unit
- ¹ Extension > 400 cm
- R/L right and left
- R right
- L left

Radio-controlled Motor Drives

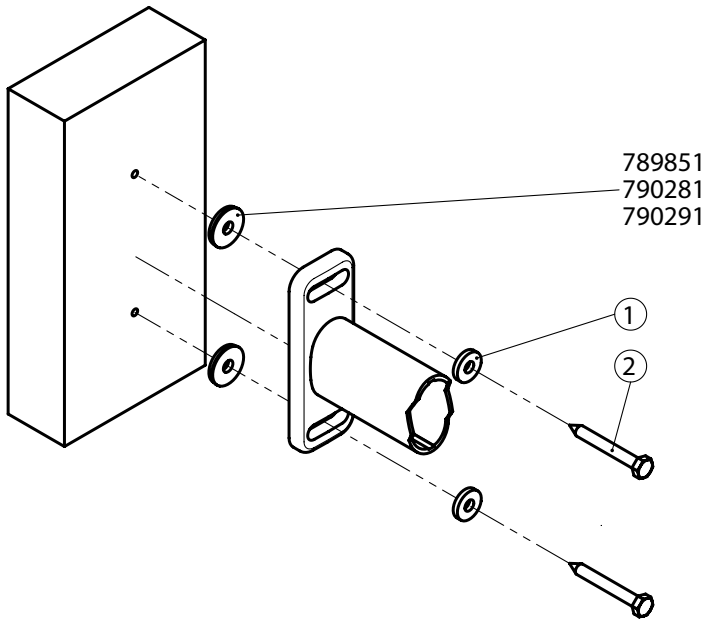
markilux Vertical Blinds and Awnings														Motor data								
710	810	720	820	725	825	750	850	760	860	869	730	830	791	891	740	840	745	845	893	Operation side	Order no.	Rated power Current (50 Hz, 230 V)
••	••	••	••	••	••	••	••				•	•	•	•	•	•	•	•		R/L	763321	P = 140 W I = 0.65 A
											• •• ••	• ••	• ¹	• ¹	••	••	••	••		R/L	763331	P = 170 W I = 0.80 A
•	•	•	•	•	•	•	•													R/L	763471	P = 140 W I = 0.65 A
								•	•											R/L	763481	P = 240 W I = 1.10 A
								••	••	•										R/L	763531	P = 170 W I = 0.80 A
																			•	R/L	763371	P = 240 W I = 1.10 A



Wiring diagram for Hirschmann connector for radio-controlled motor

- single unit
- Coupled unit
- ¹ Extension > 400 cm
- R/L right and left

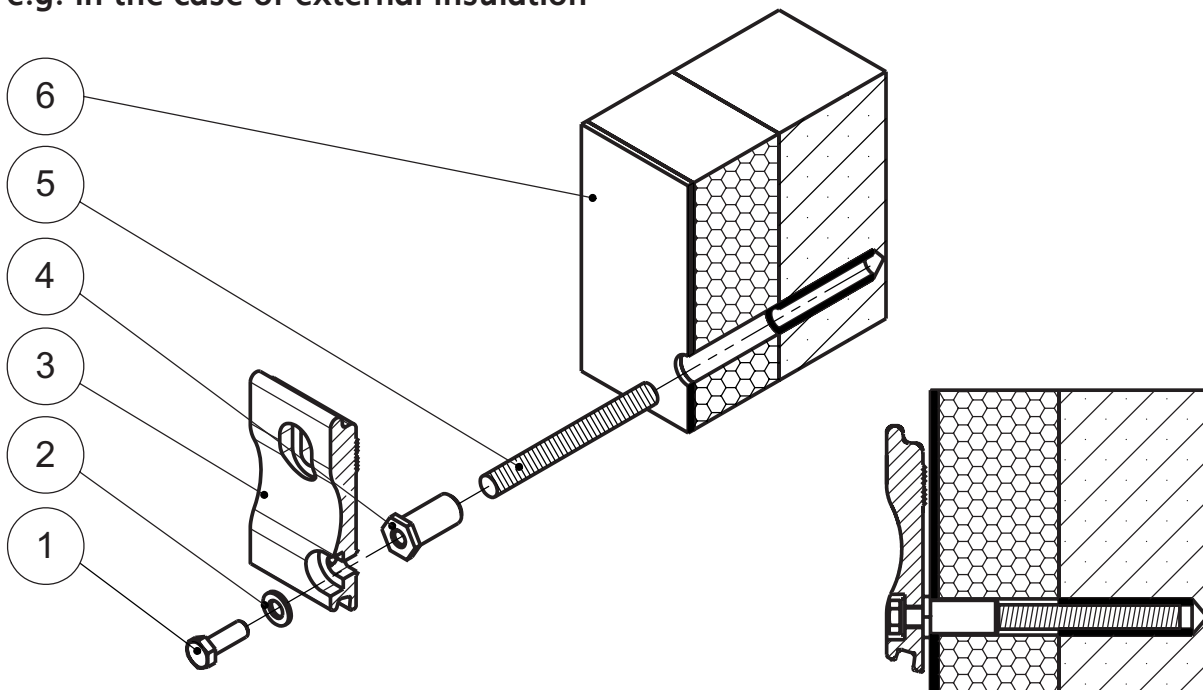
Fixture of the bracket with an additional gasket



Part	Description
789851	Gasket 5.2x14 WS9260
790281	Gasket 6.8x22 WS9260
790291	Dichtscheibe 8,4x16 WS9260
1 on site	Washer
2 on site	Bolt

Fixture example reduction bolt assembly part 753211

e.g. in the case of external insulation



Part	reducing bolt assembly, SW 13, length 30 mm
753211	reducing bolt assembly M 10 - M 6

Item	Description
1	Hexagonal headed bolt M 6
2	Washer
3	Fixture bracket
4	reducing bolt assembly, SW 13, length 30 mm
5	Studding
6	External insulation

Fitting of vertical blinds and awnings in accordance with EN 13561

markilux vertical blinds and awnings intended for outdoor use meet the requirements of European Standard EN 13561 for blinds and awnings and in so doing the current technical regulations with respect to their construction and fixing brackets.

In accordance with this standard markilux blinds and awnings have been CE certified and fulfill the requirements of wind resistance class 2 or 3 (wind resistance class 3 is only valid for the markilux 760/860 and in part for the markilux 869, v. the table of dimensions on the page "dimensions and specifications"). In the case of the largest sizes and those outside our specification we withhold judgement with regard to the wind resistance class.

The wind resistance class describes the wind speed at which an awning may continue to be used. If used at wind speeds greater than those permitted under the wind resistance class, in rain or snow dangerous situations can come about so in these conditions the blind or awning should not be extended. The wind resistance classes are described in the overview shown below.

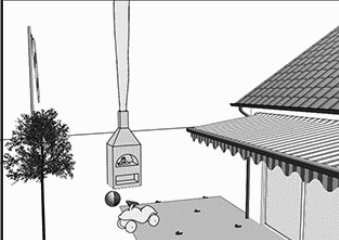


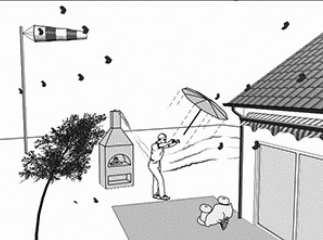


markilux
Schmitz-Werke GmbH & Co.KG
Hansestraße 87
D-48282 Emsdetten

DIN EN 13561
Blinds and awnings for exterior applications

wind resistance class 2
markilux 710/810, 720/820, 725/825, 750/850,
869 (depending on the size), 730/830,
791/891, 740/840, 745/845, 893

wind resistance class 3
markilux 760/860, 869 (depending on the size)

wind resistance class 0	wind resistance class 1	wind resistance class 2	wind resistance class 3
			
	The awning may remain extended up to maximum Beaufort force 4.	The awning may remain extended up to maximum Beaufort force 5.	The awning may remain extended up to maximum Beaufort force 6.
Wind resistance class 0 corresponds either to performance criteria that we were not asked to meet or to those that have not been measured or to a product that does not fulfill the requirements of wind resistance class 1.	definition according to Beaufort: moderate breeze, moderate wind The wind moves twigs and smaller branches, lifts dust and loose paper.	definition according to Beaufort: fresh breeze, fresh wind Small deciduous trees start to sway, whitecaps form on waves	definition according to Beaufort: strong breeze Large tree branches move, umbrellas are difficult to keep under control, telephone wires „whistle“ in the wind
This awning may not be used when there is any wind.	speed 20-27 km/h = 12-16 mph = 5.5-7.4 m/s	speed 28-37 km/h = 17-23 mph = 7.5-10.4 m/s	speed 38-48 km/h = 24-30 mph = 10.5-13.4 m/s

The wind resistance class is only fulfilled if the awning is fitted appropriately.

Fixture may only be carried out by qualified, professional dealers with appropriate fixing experience. The fixture instructions supplied with the awning and especially the section referring to safety regulations must be read before fitting the awning without fail.

The delivery will not include fixing bolts and rawlplugs. Because different countries and regions have the most widely varying of substrates, which, because of their sheer volume cannot be detailed in this volume, it would make sense for you to get advice from your local fixture specialist so as to make a suitable choice of fixing materials.

The aim of our oral and written advice is to put you in a position to be able to recommend the best possible uses for our blinds and awnings. But this does not relieve you of the responsibility of convincing yourself that - through your own conscientious analysis - of the suitability of our products and services for the application you intend them to be used for. In particular this goes for the checking of the general composition and especially the load bearing capability of the substrate to which the blind or awning is to be fitted.

Important - By taking suitable measures to seal around the fixing holes you should ensure that even in the long term the façade of the building cannot suffer from the ingress of damp (rain water). On the coast and in industrial areas stainless steel fixing materials must be used.

